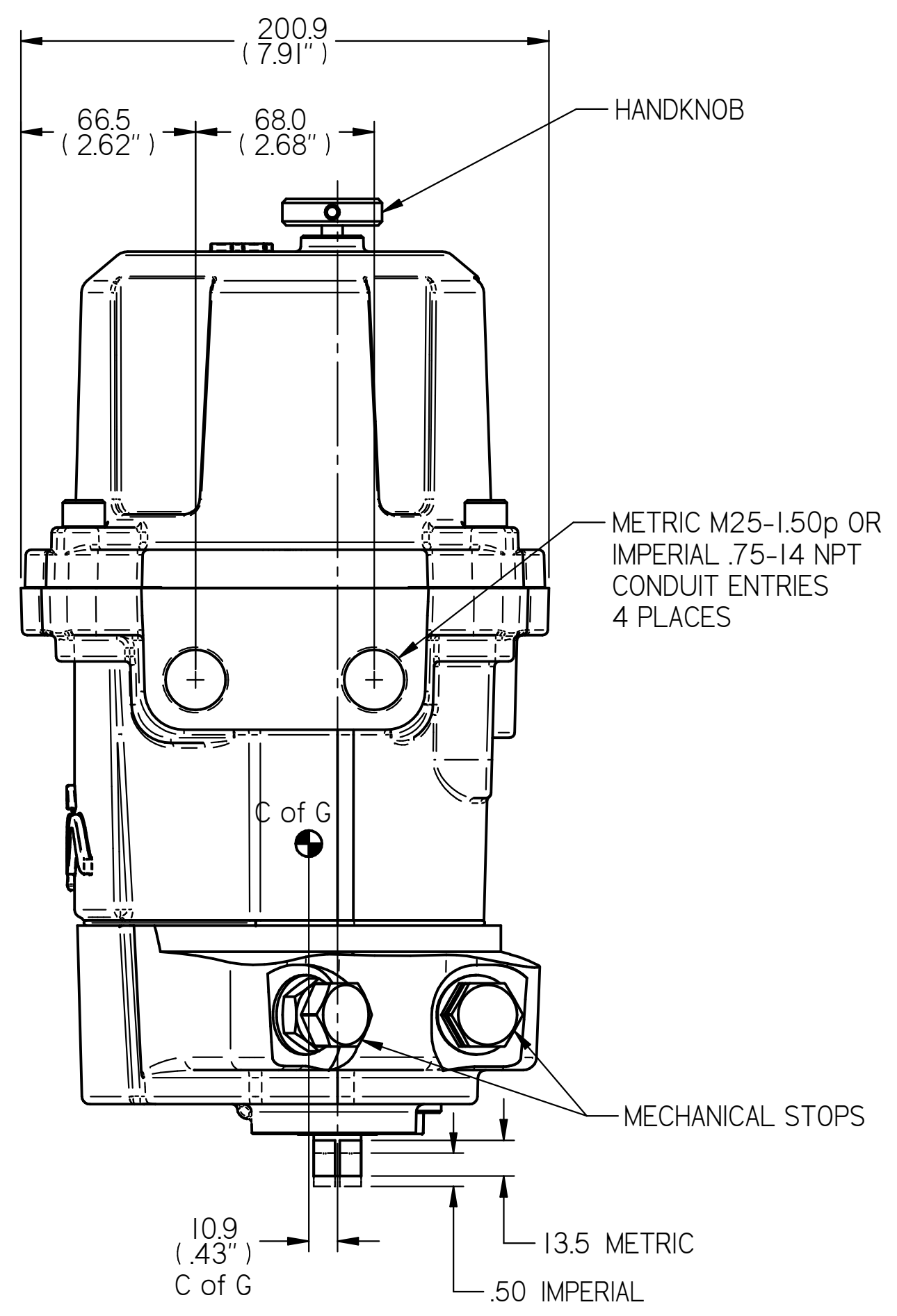


MOUNTING HOLES - 4 PLACES
 METRIC M6 x 1.00p x 12.00 DEEP
 EQUALLY SPACED ON A Ø50.00 MM B.C.

IMPERIAL .25-20 UNC x .47 DEEP
 EQUALLY SPACED ON A Ø2.000" B.C.
 IS NO LONGER AVAILABLE



NOTES: 1) ALL DIMENSIONS ARE IN mm WITH CONVERSION FOR (INCHES).
 2) CMA ACTUATORS CAN BE SELECTED WITH EITHER METRIC OR IMPERIAL SIZES FOR THE SHAFT AND CONDUIT ENTRY. THESE ARE NOT SIMPLE CONVERSIONS BUT DIFFERENT DIMENSIONS.

DIMENSIONS WITH ' * ' INDICATE COVER REMOVAL ALLOWANCE.

THE INTERFACE PROVIDED FOR MOUNTING THE ACTUATOR ON TO THE VALVE SHOULD CONFORM TO GOOD ENGINEERING PRACTICES, ENSURING ADEQUATE TOLERANCES, THREAD ENGAGEMENT, SCREW TORQUES, SIZES, MATERIALS & FORM TOLERANCES.

OUTPUT SHAFT "SQUARE" SHOWN AT ACTUATOR CENTER OF TRAVEL.

UNIT WEIGHT - 24.0 lbs (10.9 kg)

TOLERANCES DIMENSIONS IN MILLIMETERS UNLESS OTHERWISE SPECIFIED X = ±.5mm .XX = ±.1mm ANGULAR ±1°			rotork Process Controls MILWAUKEE, WISCONSIN, USA		TITLE: CMA INSTALLATION DRAWING	
SCALE: 1:2			PROD. ENG: RLY		FOR: CMQ-1000	
DRAWN: SSV	PROD. DV:	PROD. ENG:	This print is the property of Rotork Process Controls and is loaned in confidence subject to return. All rights to design or invention are reserved.		96	C
DATE: 5/27/15	DATE:	DATE: 09/20/12			047528	