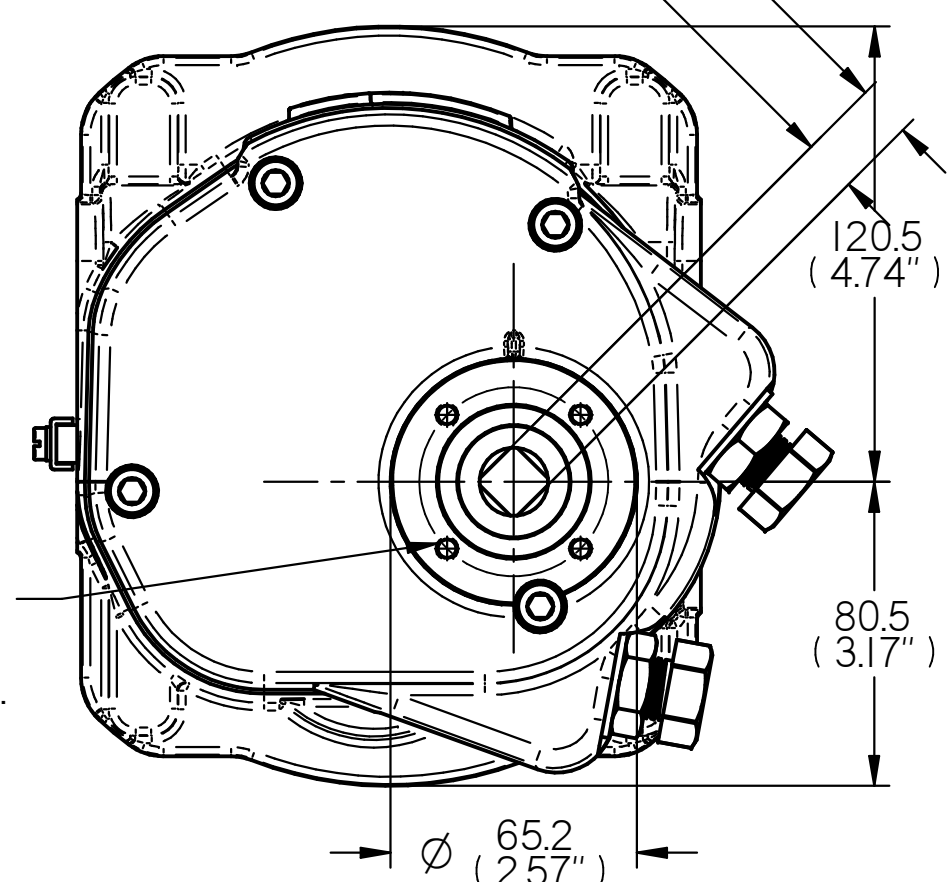
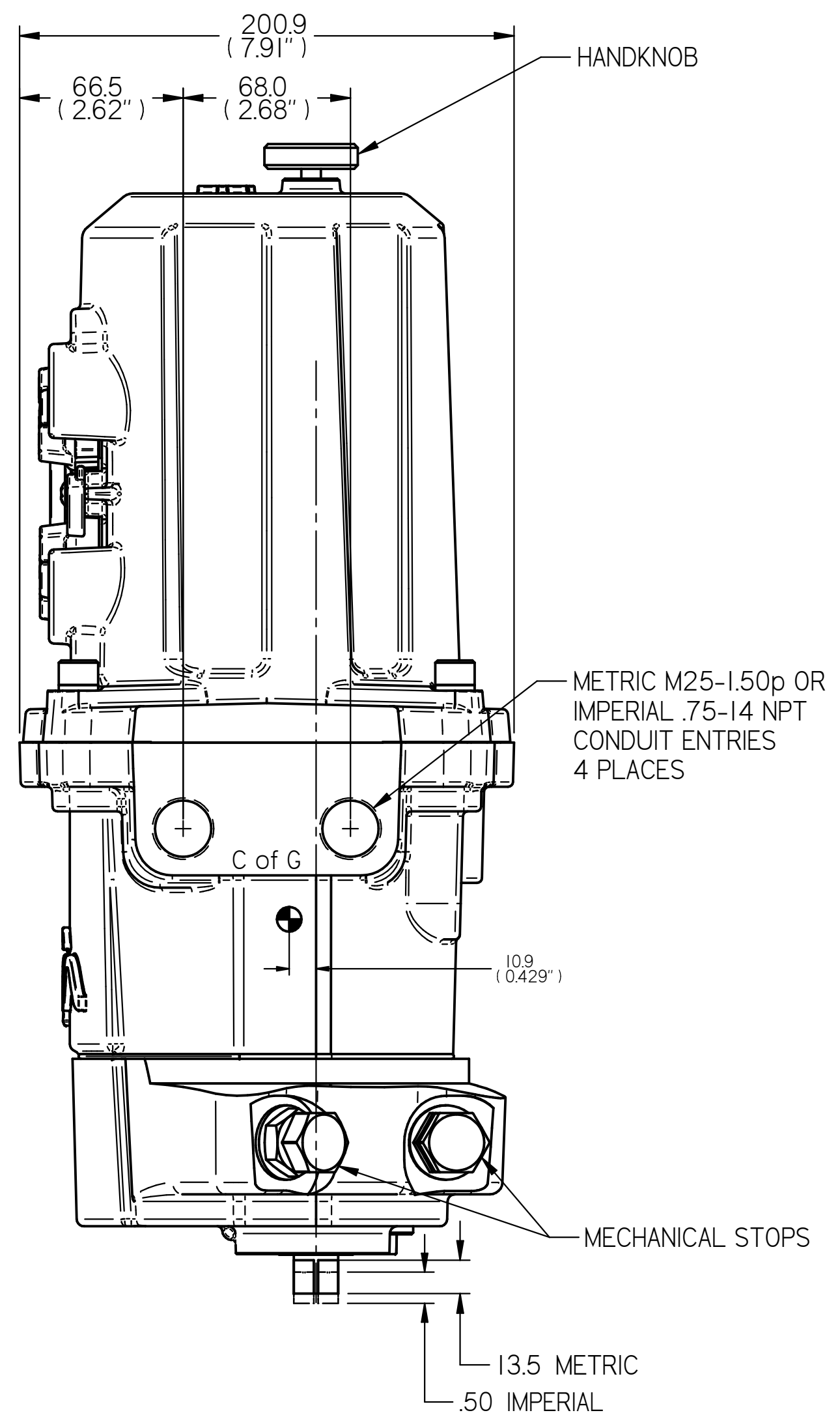


16.0 METRIC  
.76 IMPERIAL

METRIC 14.00  
13.89  
OR  
IMPERIAL .5625  
.5585



MOUNTING HOLES - 4 PLACES  
METRIC M6 x 1.00p x 12.00 DEEP  
EQUALLY SPACED ON A Ø50.00 MM B.C.  
  
IMPERIAL .25-20 UNC x .47 DEEP  
EQUALLY SPACED ON A Ø2.000" B.C.  
IS NO LONGER AVAILABLE



NOTES: 1) ALL DIMENSIONS ARE IN mm WITH CONVERSION FOR (INCHES).  
2) CMA ACTUATORS CAN BE SELECTED WITH EITHER METRIC OR IMPERIAL SIZES FOR THE SHAFT AND CONDUIT ENTRY. THESE ARE NOT SIMPLE CONVERSIONS BUT DIFFERENT DIMENSIONS.

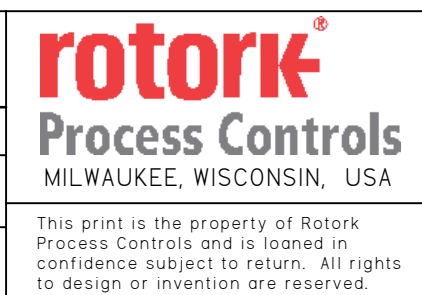
DIMENSIONS WITH ' \* ' INDICATE COVER REMOVAL ALLOWANCE.

THE INTERFACE PROVIDED FOR MOUNTING THE ACTUATOR ON TO THE VALVE SHOULD CONFORM TO GOOD ENGINEERING PRACTICES, ENSURING ADEQUATE TOLERANCES, THREAD ENGAGEMENT, SCREW TORQUES, SIZES, MATERIALS & FORM TOLERANCES.

OUTPUT SHAFT "SQUARE" SHOWN AT ACTUATOR CENTER OF TRAVEL.

UNIT WEIGHT - 28.9 lbs (13.1 Kg)

TOLERANCES		
DIMENSIONS IN MILLIMETERS UNLESS OTHERWISE SPECIFIED		
X = ±.5mm .XX = ±.1mm ANGULAR ±1°		
SCALE: 1:2		
DRAWN: RLY	PROD. DV:	PROD. ENG: RLY
DATE: 4/7/16	DATE:	DATE: 12/13/13



TITLE: CMA INSTALLATION DRAWING	
FOR: CMQ-1000 LONG COVER	
96	C 048324