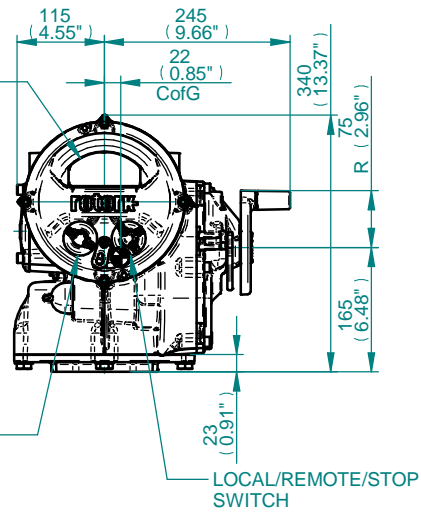
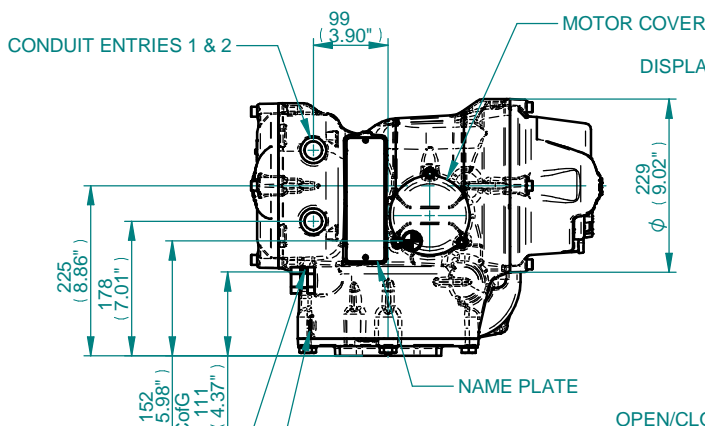


ELECTRONICS COVER



Ø6.5 (1/4") EARTHING HOLE

DRAIN PLUG (OPTIONAL)

BATTERY PLUG

DRAIN PLUG (OPTIONAL)

CONDUIT ENTRIES 3 & 4 (OPTIONAL)

TERMINAL COVER

HAND AUTO LEVER

DRAIN PLUG (OPTIONAL)

VIEW ON ARROW "A"

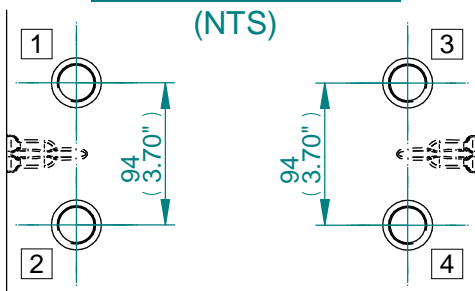
STOP BOLTS

HAND WHEEL

90 (3.53) * width

218 (8.59) * diameter

CONDUIT ENTRIES (NTS)

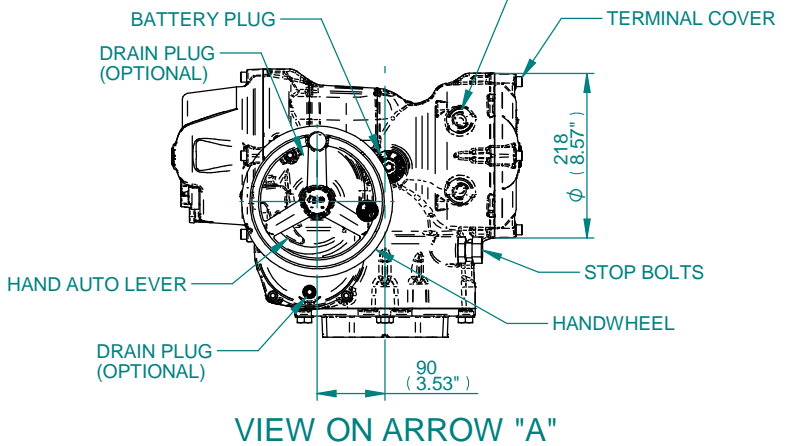
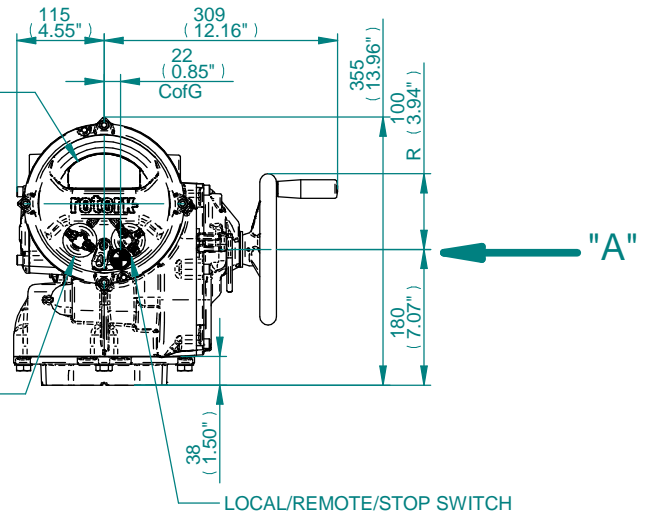
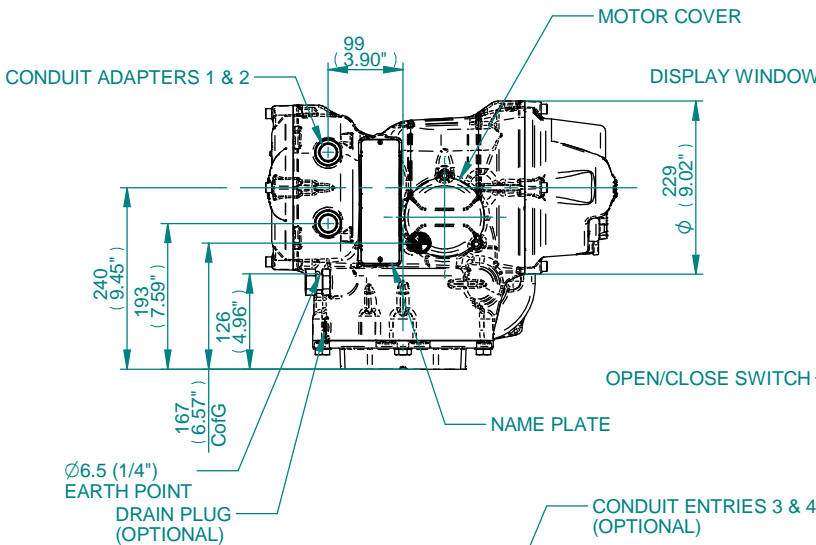
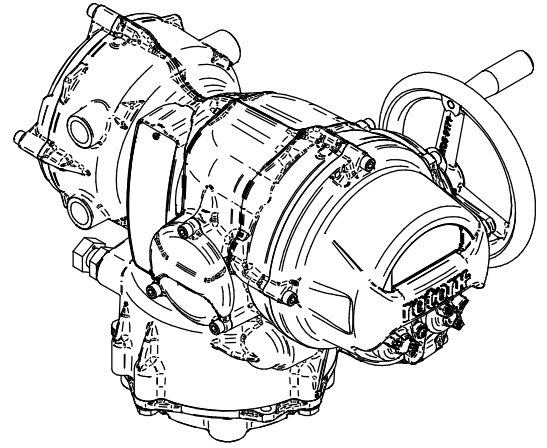
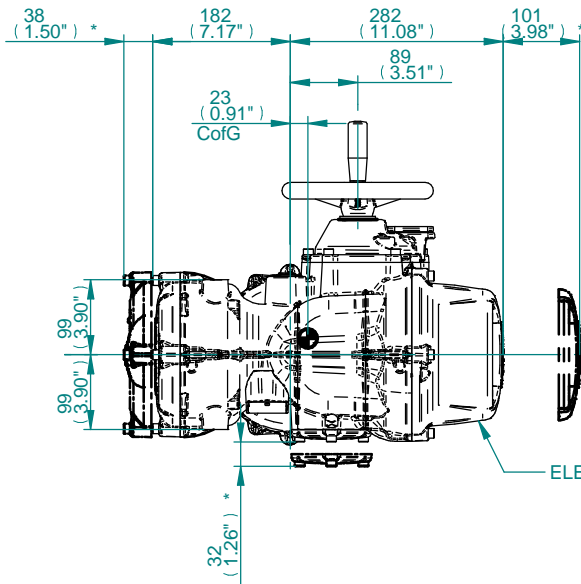


DEFAULT HOLE SIZE: M25x1.5P

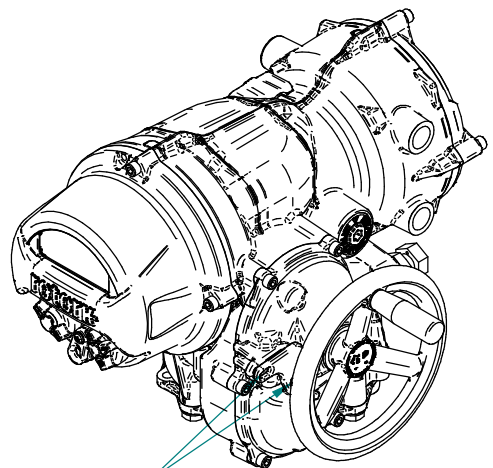
HAND / AUTO LOCKING BOLT HOLES FOR Ø8mm HASP PADLOCK

NOTE

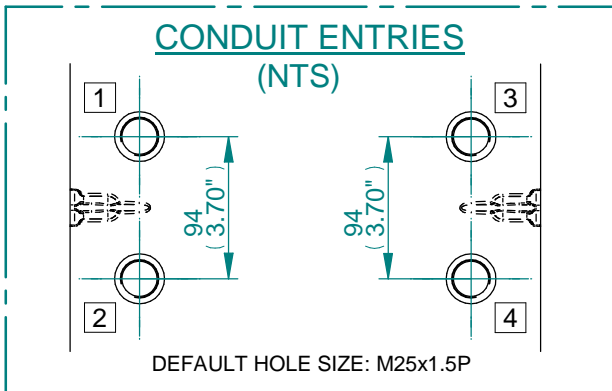
*** REMOVAL ALLOWANCE REQUIRED.



VIEW ON ARROW "A"

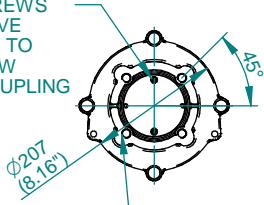


HAND / AUTO LOCKING BOLT HOLES FOR Ø8mm ASP PADLOCK



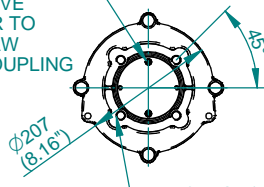
NOTE
*** REMOVAL ALLOWANCE REQUIRED.

2 CAPSCREWS
M6 REMOVE
IN ORDER TO
WITHDRAW
DRIVE COUPLING

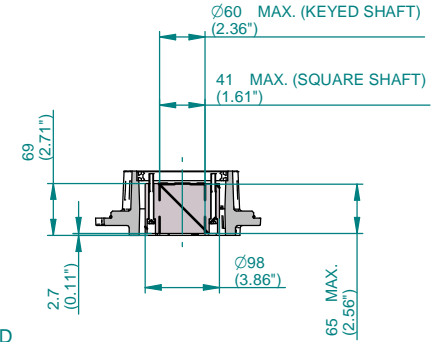


4 HOLES M12x1.75p x 22 DP
EQUI-SPACED ON A 125 PCD
(ISO 5211 F12)

2 CAPSCREWS
M6 REMOVE
IN ORDER TO
WITHDRAW
DRIVE COUPLING



4 HOLES 1/2"-13UNC x 22 DP
EQUI-SPACED ON A 4.95" PCD
(MSS SP-101 FA12)

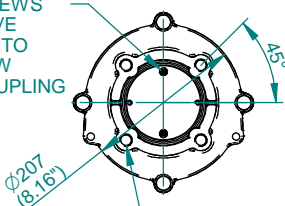


F12 BASE DETAILS

FA12 BASE DETAILS

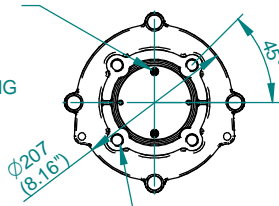
COUPLING DETAILS
(F12/FA12)

2 CAPSCREWS
M6 REMOVE
IN ORDER TO
WITHDRAW
DRIVE COUPLING

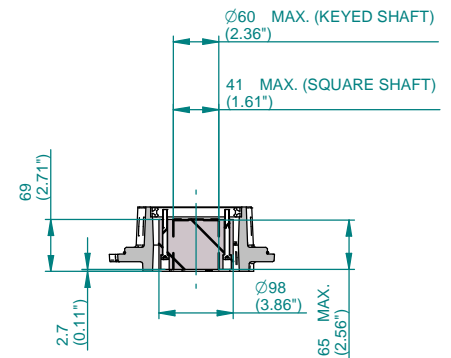


4 HOLES M16x2.0p x 22 DP
EQUI-SPACED ON A 140 PCD
(ISO 5211 F14)

2 CAPSCREWS
M6 REMOVE
IN ORDER TO
WITHDRAW
DRIVE COUPLING



4 HOLES 5/8"-11UNC x 22 DP
EQUI-SPACED ON A 5.5" PCD
(MSS SP-101 FA14)

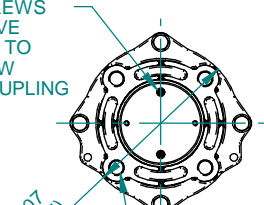


F14 BASE DETAILS

FA14 BASE DETAILS

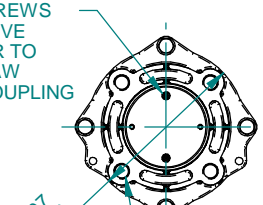
COUPLING DETAILS
(F14/FA14)

2 CAPSCREWS
M6 REMOVE
IN ORDER TO
WITHDRAW
DRIVE COUPLING

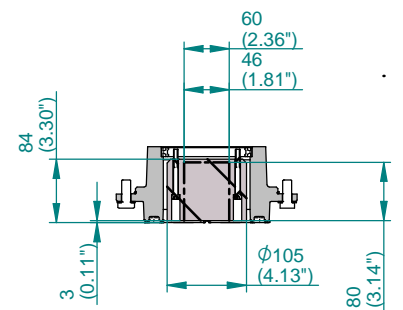


4 HOLES M20x2.5p x 30 DP
EQUI-SPACED ON A 165 PCD
(ISO 5211 F16)

2 CAPSCREWS
M6 REMOVE
IN ORDER TO
WITHDRAW
DRIVE COUPLING



4 HOLES 3/4" UNC x 30 DP
EQUI-SPACED ON A 165
PCD (MSS SP-102 FA16)



F16 BASE DETAILS

FA16 BASE DETAILS

COUPLING DETAILS
(F16/FA16)