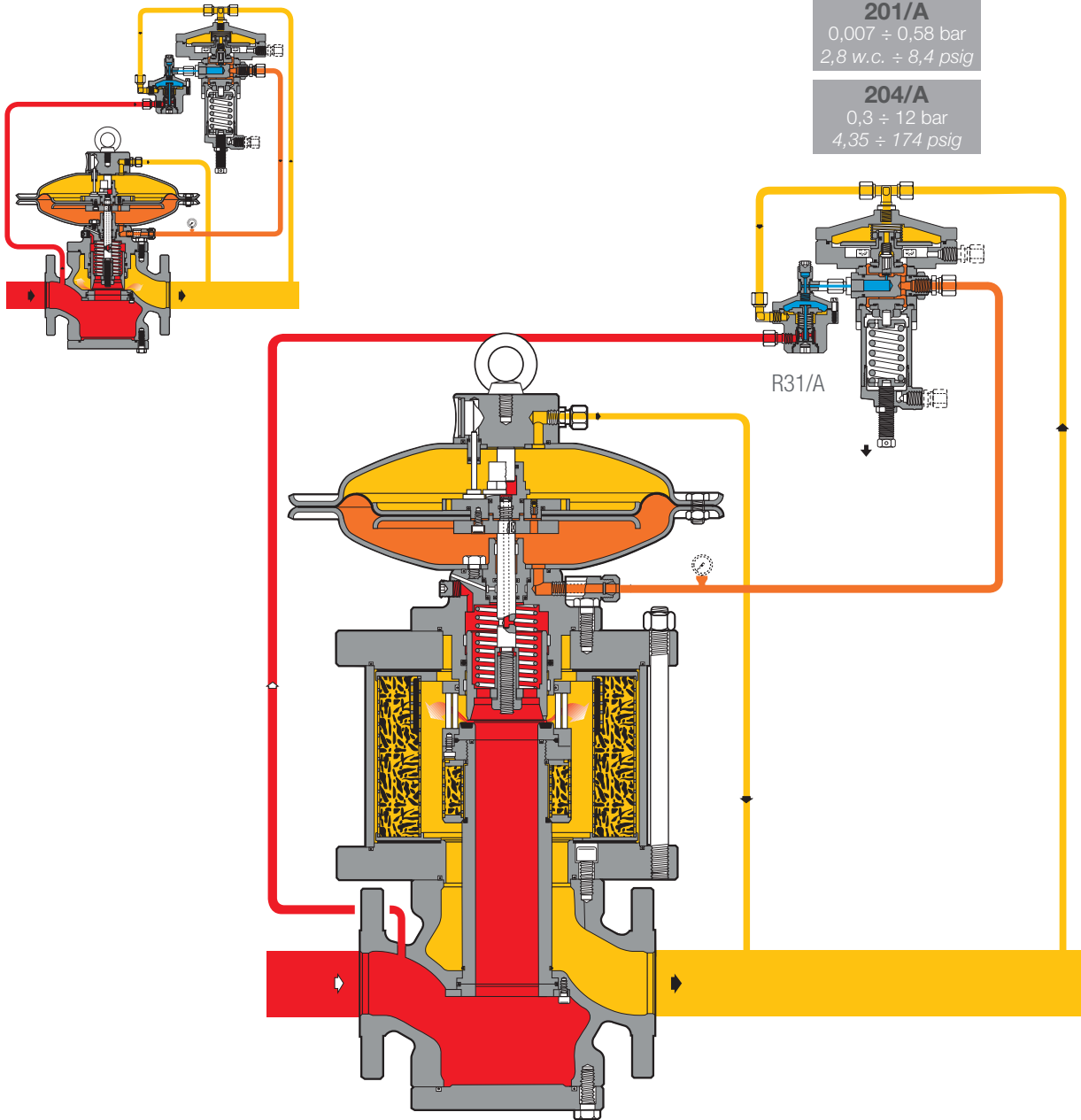


Reval 182

Pressure Regulator

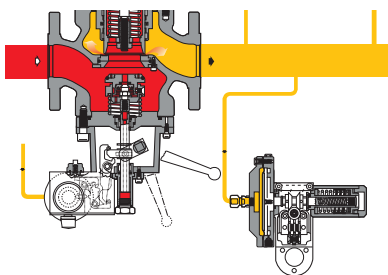


201/A
0,007 ÷ 0,58 bar
2,8 w.c. ÷ 8,4 psig

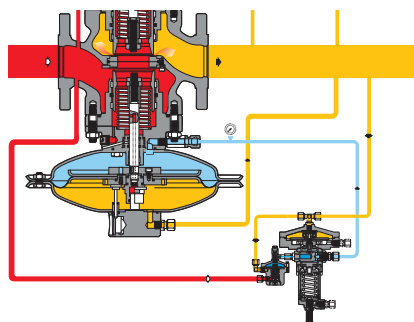
204/A
0,3 ÷ 12 bar
4,35 ÷ 174 psig

R31/A

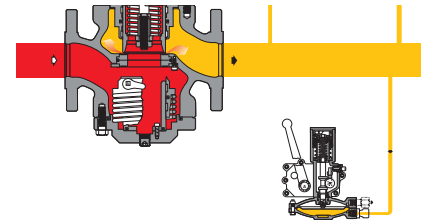
...+SB/82




...+PM/182




...+SA



 Inlet Pressure

 Outlet Pressure

 Motorization

 Motorization Monitor

 Pilot Feed