



Elcorplus® Indexer

World Class Performance Gas Volume Corrector for Standard Natural Gas Meter Applications

The new ELCORplus® gas volume corrector offers a powerful solution for commercial gas measurement purposes.

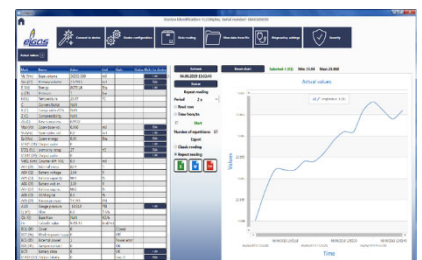
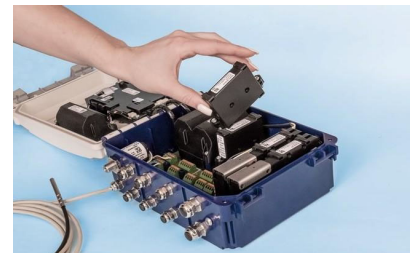
The ELCORplus® is the device designed to convert the volume of gas measured under operating conditions to the volume under base conditions. Information about the gas flow volume is sensed through the pulse outputs of the gas meter or through the encoder data output. Gas temperature and gas pressure are measured by integrated digital transducers. The degree of gas compressibility is calculated by the device



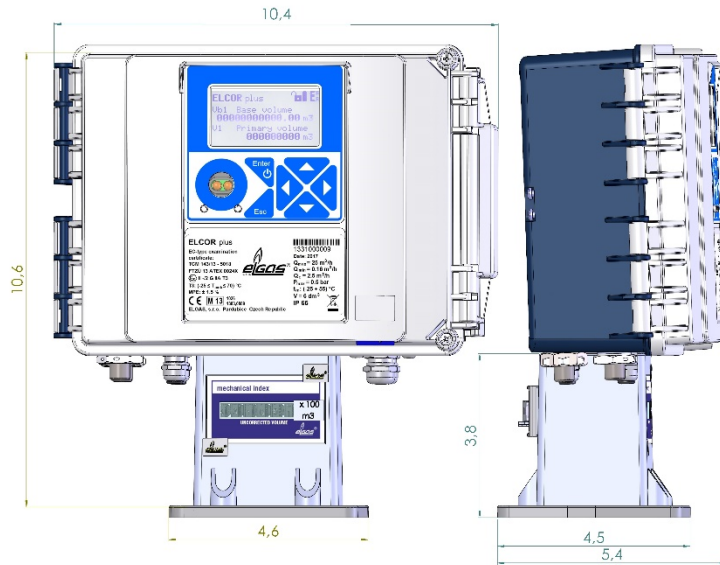
Elcorplus® Indexer

Basic features:

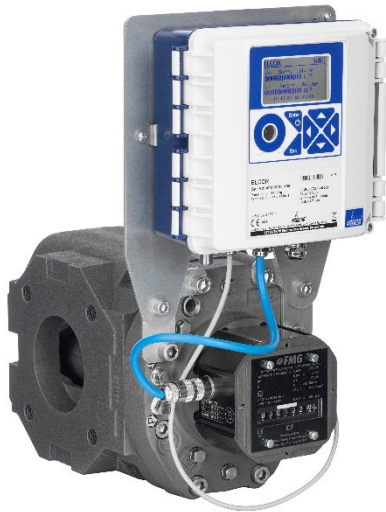
- One or two-channel gas volume corrector
- Corrected volume calculation according to AGA-7, AGA-8 gross method 1 & 2, AGA8 Detailed and NX-19
- Modular design allows for easy installation of analog outputs, digital inputs and outputs, RS232/485 connections, 2G/3G/4G/NB modem, external power supply and HF sensors
- Flexible mounting options for index mount, meter mount and wall mount
- High accuracy and stability of measurement
- The battery life of up to 18 years for a corrector (B-03D battery) and 11 years for a modem (HB-03D battery) under defined conditions
- Up to 6x digital pressure transducer EDT96, or digital temperature transducer EDT101 with extended measuring ranges
- Pressure measuring range from inches water column up to 1500 psig
- AMR ready and compatible with Itron and Sensus, Aclara and other AMR devices
- High memory capacity for storing measured values
- Device operating temperatures ranges from -40 °F to 170°F
- Two LCD display options: graphical display (allowing full interaction with the device) or segment display (constantly illuminated - non-switched off)
- Robust design with IP 66 protection suitable for outdoor installation
- Fully configurable device via supplied software (Compass® Software Suite)
- Designed for a hazardous location explosive environment rated C1D1, C1D2, Groups C&D, CSA rated
- Metrological approval according to MID: TCM 143 / 18-5562 ATEX certificate FTZÚ 17 ATEX 0143X



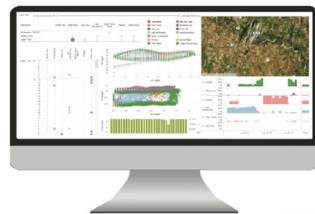
Specifications:



Optional Accessories:



FMG Rotary Meter with Elcor Corrector



EMERSON zedi

Zedi Access™ Cloud Based Data Access Platform



Elgas HIE-04 Infrared Head (HIE-04 Mod A/B) programming



Multiple Cellular Modem options from internal to external 4&5G



Authorized Elgas/FMG Representative and Stocking Distributor:
 Precision Pipeline Equipment, Inc.
 253 Walnut Street
 Houston, Pa 15342
 Phone: 724-746-5427
 ray.schnebelen@precisionpipeline.com

