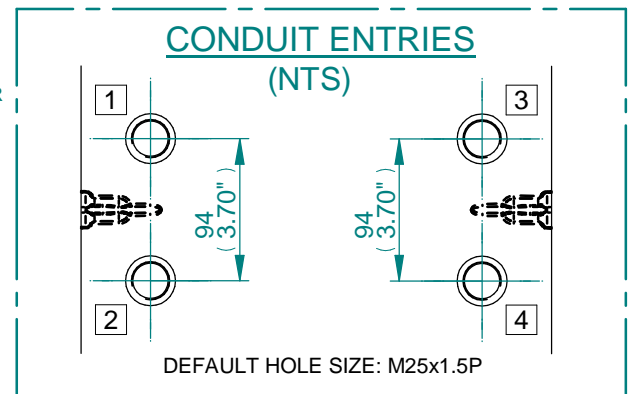
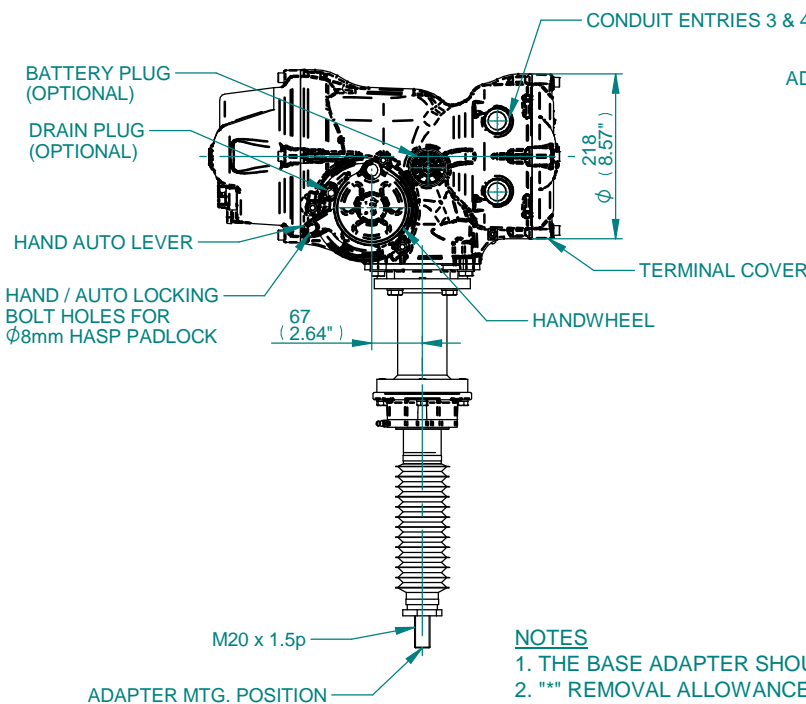
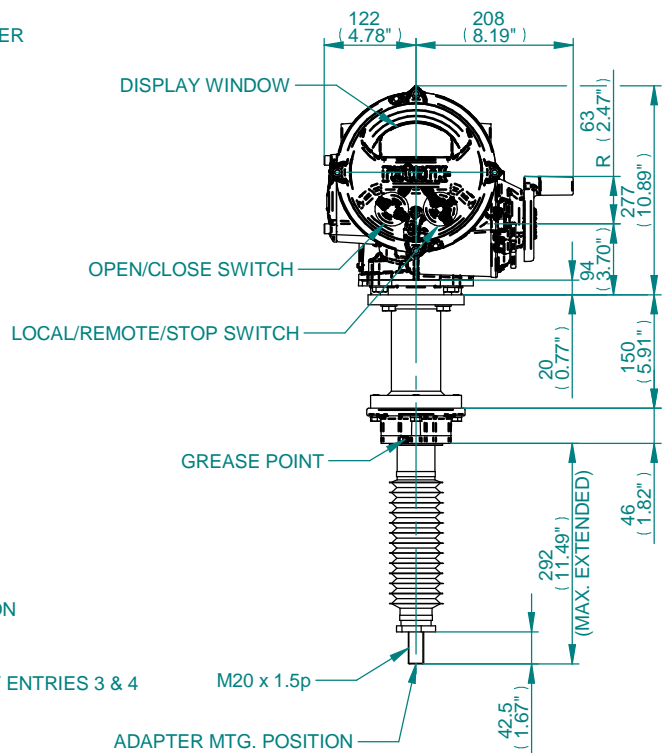
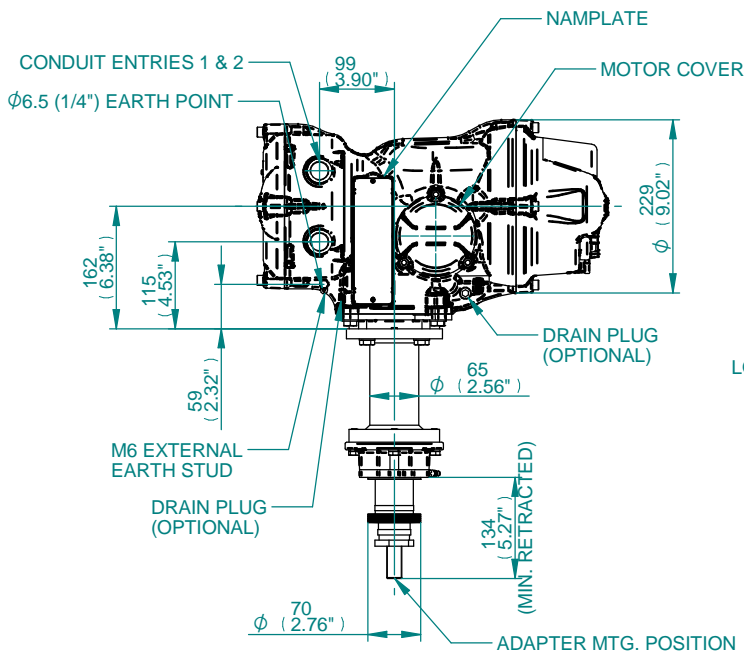
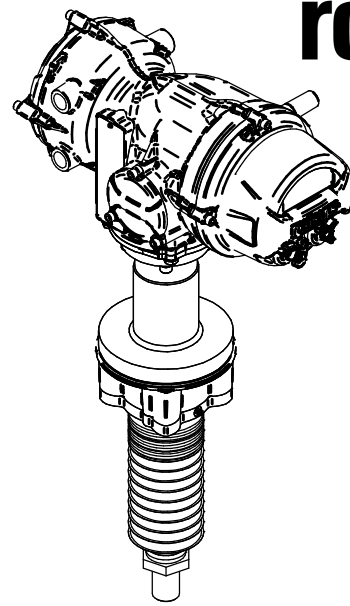
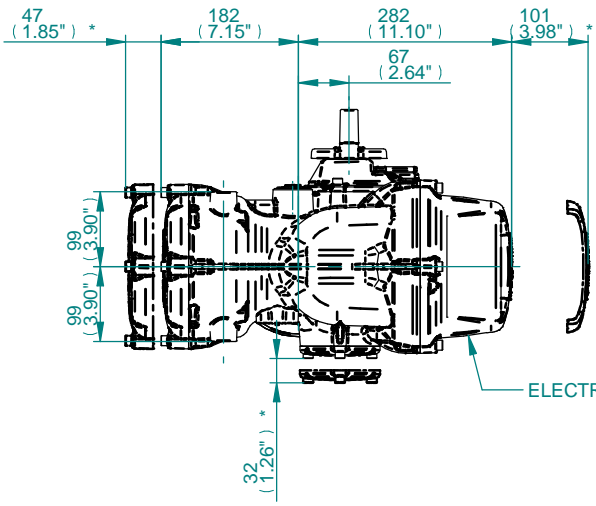


ISOMETRIC VIEW

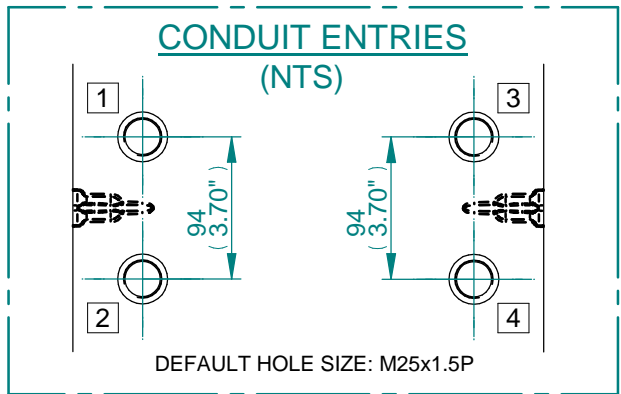
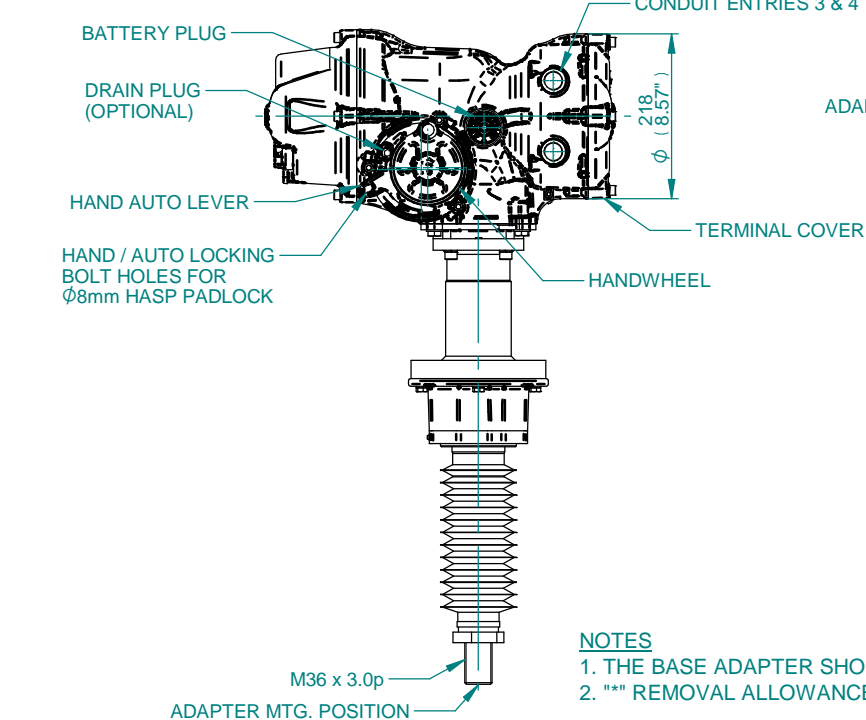
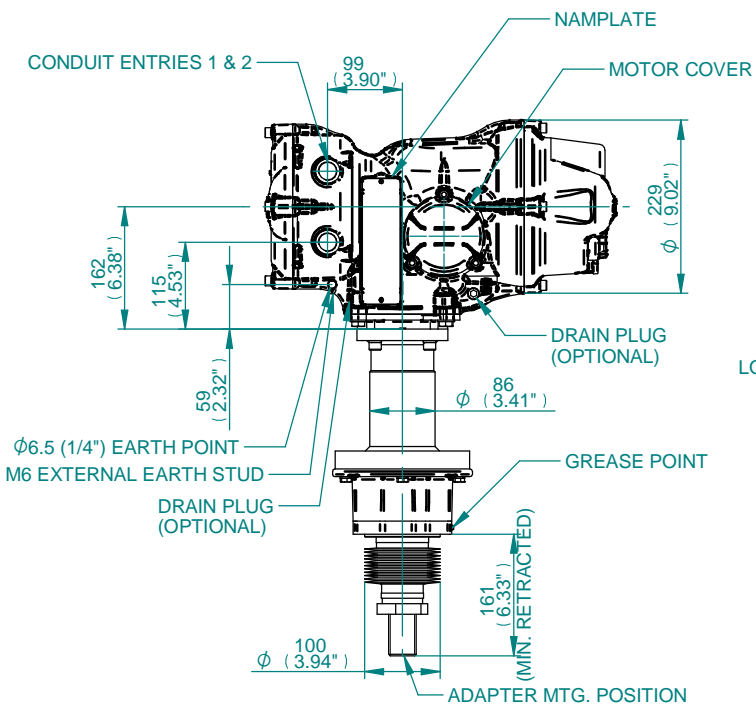
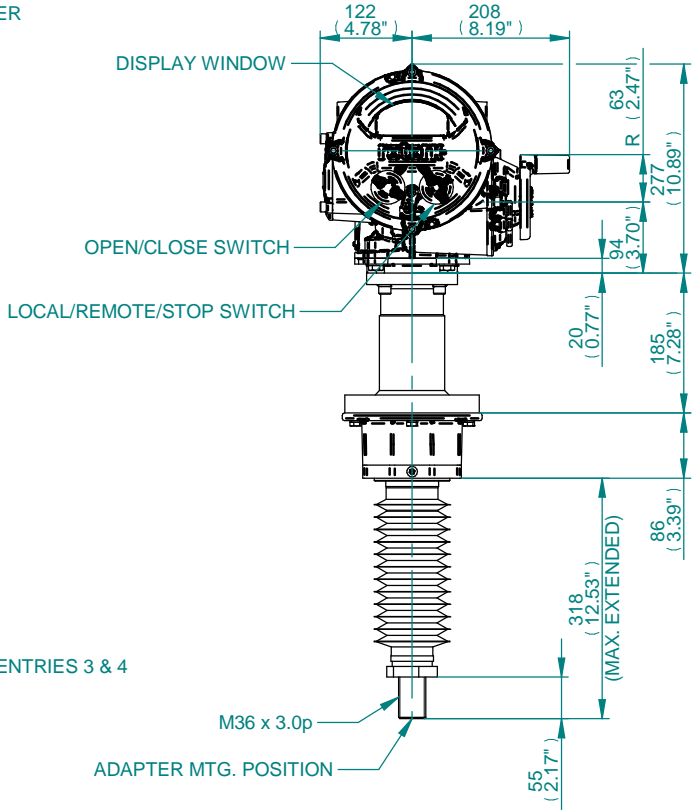


NOTES

1. THE BASE ADAPTER SHOULD BE LOADED TO MTG POSITION INDICATED IF REQUIRED.
2. "*" REMOVAL ALLOWANCE REQUIRED.

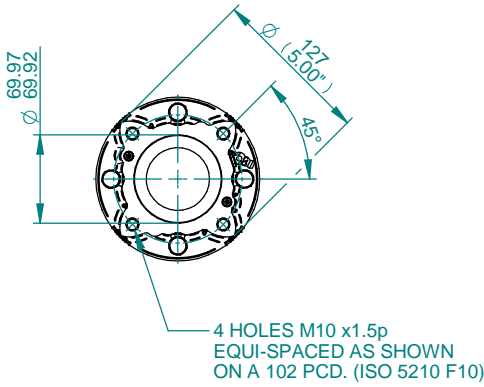


ISOMETRIC VIEW

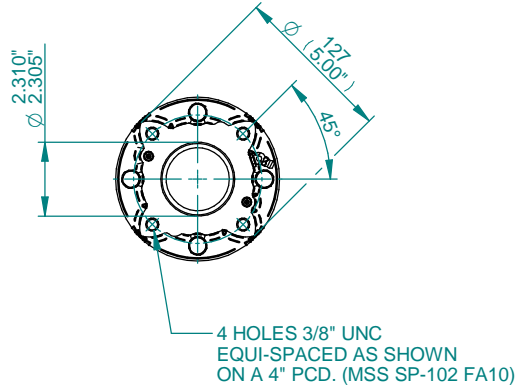


- NOTES**
1. THE BASE ADAPTER SHOULD BE LOADED TO MTG POSITION INDICATED IF REQUIRED.
 2. ""*"" REMOVAL ALLOWANCE REQUIRED.

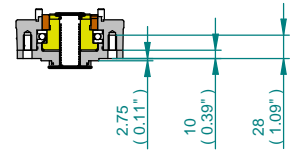
BASE DETAILS



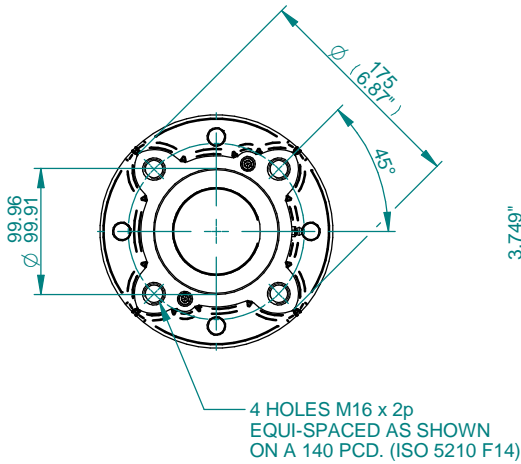
F10 BASE DETAILS



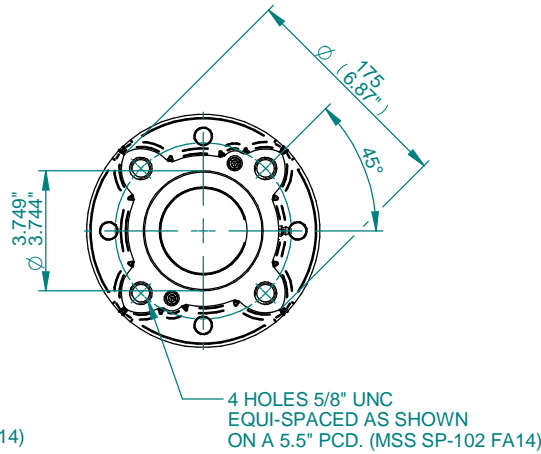
FA10 BASE DETAILS



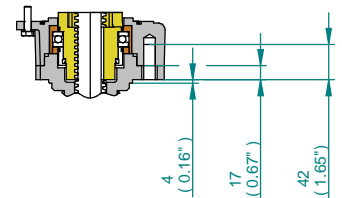
**BASE DETAILS
(F10/FA10)**



F14 BASE DETAILS



FA14 BASE DETAILS



**BASE DETAILS
(F14/FA14)**

STROKE INFORMATION

F10 Linear Drive - Maximum Operable Strokes

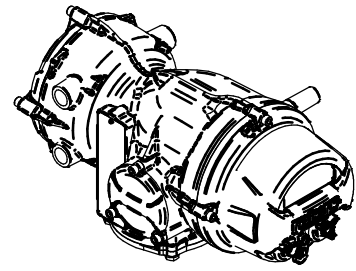
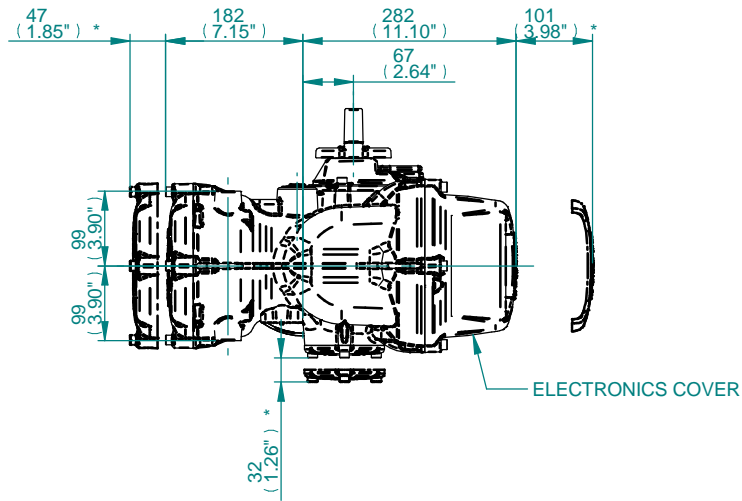
Stem Lead	3mm	5mm	7mm
Max Stroke	60mm	100mm	158mm

The valve required stroke up to the maximum shown above, may be set within the (min) Retracted and the (max) Extended values. Actuator limits to be set to valve stroke as required - refer to PUB002-065

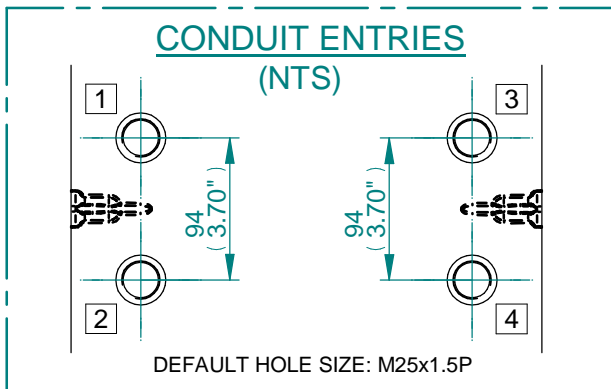
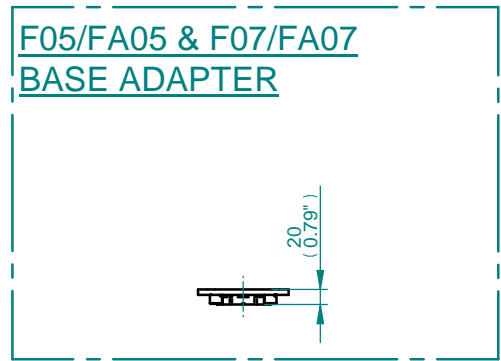
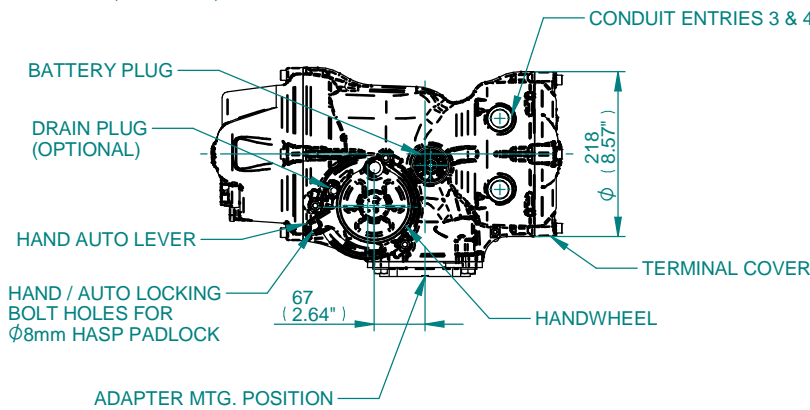
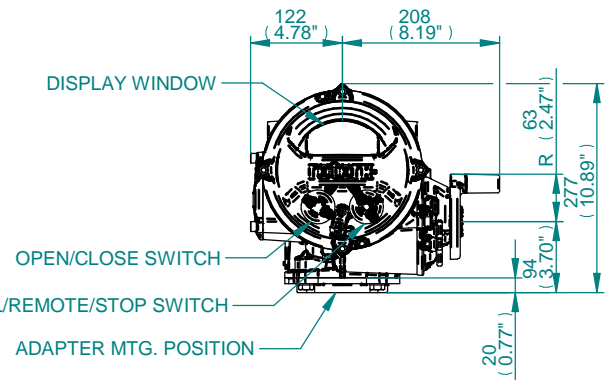
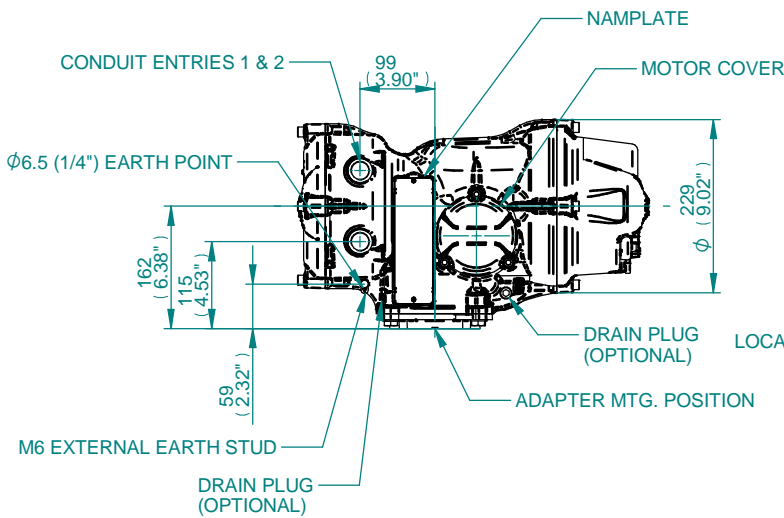
F14 Linear Drive - Maximum Operable Strokes

Stem Lead	5mm	7mm	10mm	15mm
Max Stroke	100mm	140mm	157mm	157mm

The valve required stroke up to the maximum shown above, may be set within the (min) Retracted and the (max) Extended values. Actuator limits to be set to valve stroke as required - refer to PUB002-065

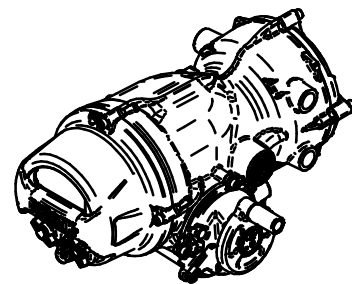


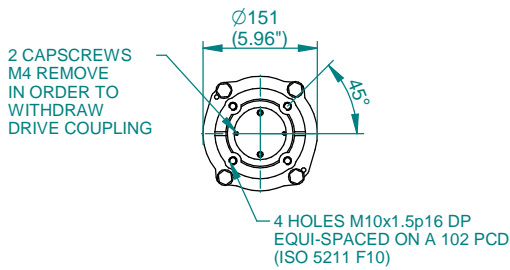
ISOMETRIC VIEW



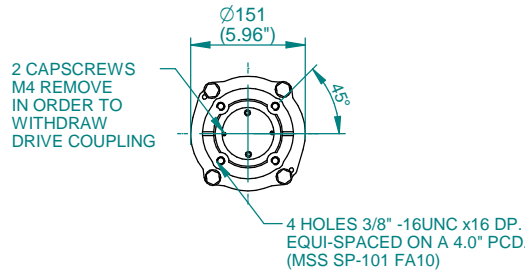
NOTES

1. THE BASE ADAPTER SHOULD BE LOADED TO MTG POSITION INDICATED IF REQUIRED.
2. "*" REMOVAL ALLOWANCE REQUIRED.

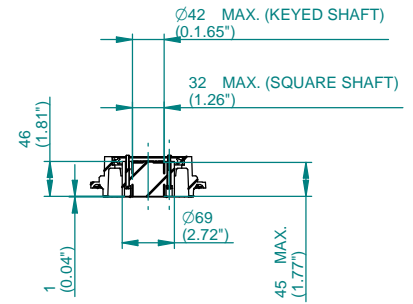




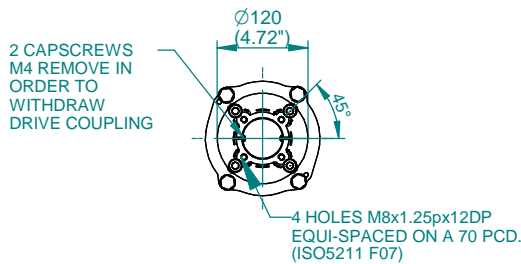
F10 BASE DETAILS



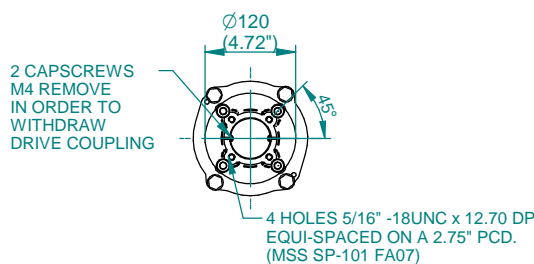
FA10 BASE DETAILS



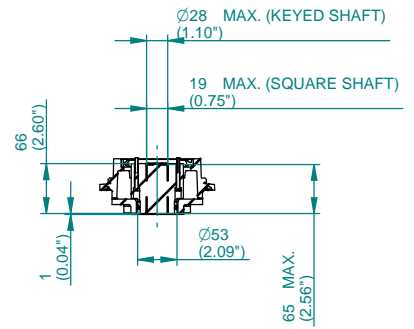
COUPLING DETAILS (F10/FA10)



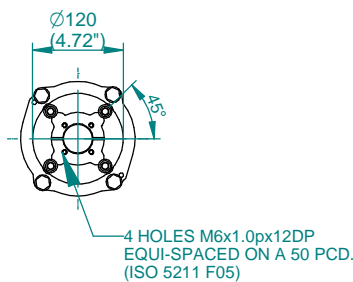
F07 BASE DETAILS



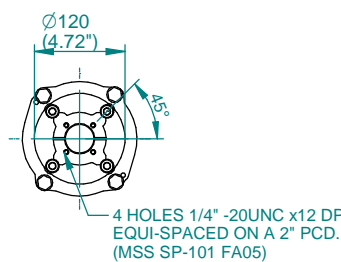
FA07 BASE DETAILS



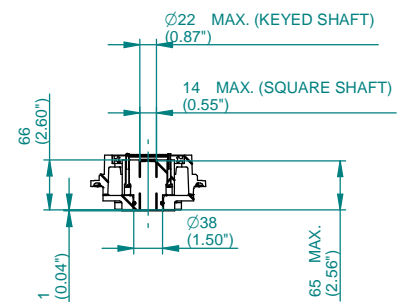
COUPLING DETAILS (F07/FA07)



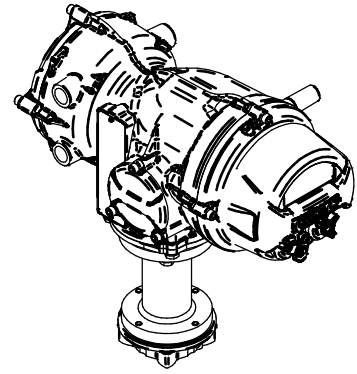
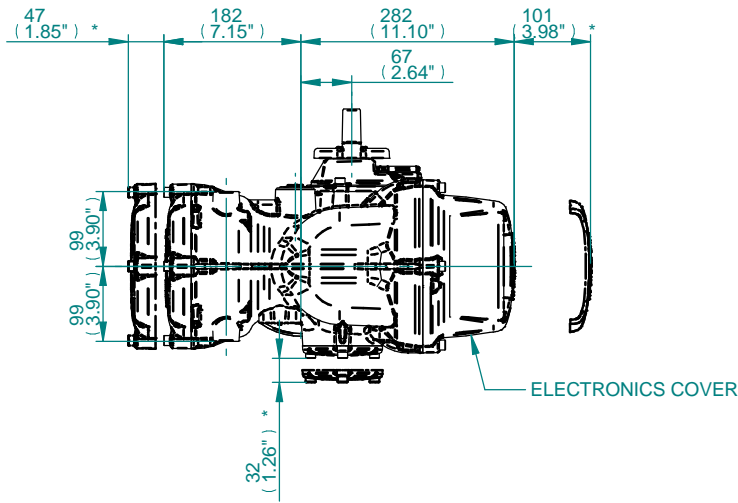
F05 BASE DETAILS



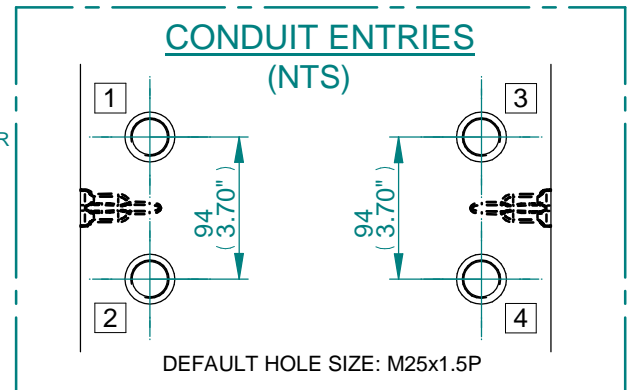
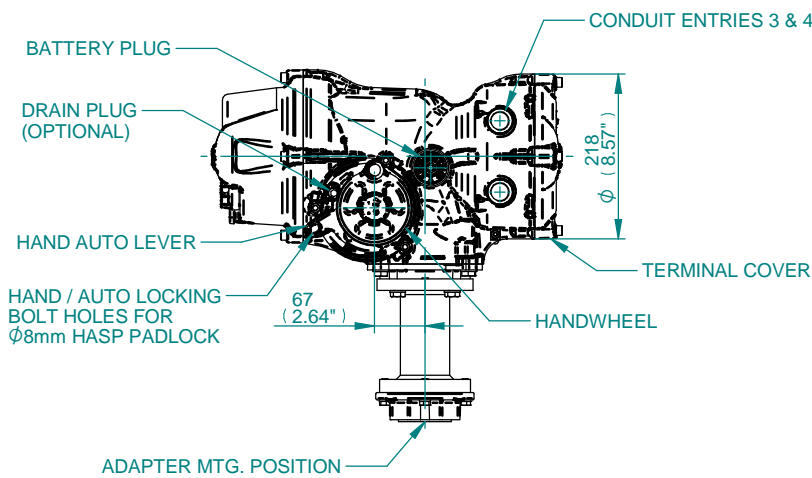
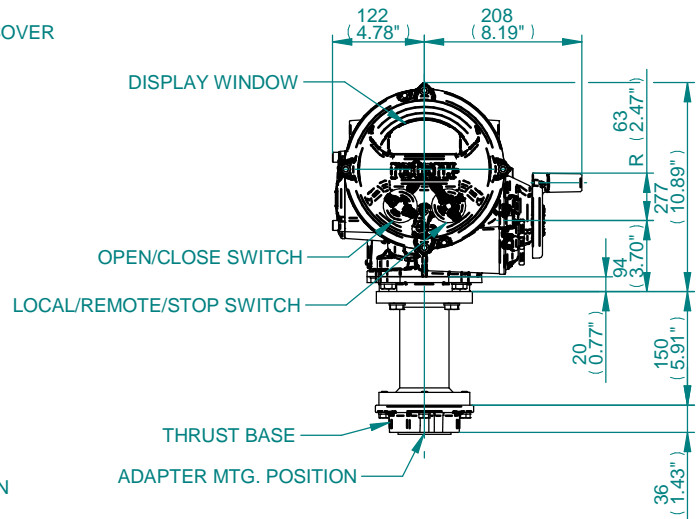
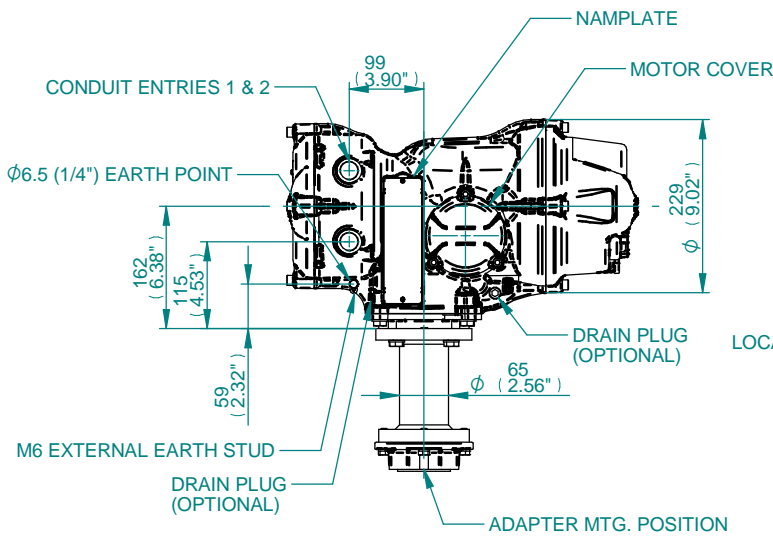
FA05 BASE DETAILS



COUPLING DETAILS (F05/FA05)

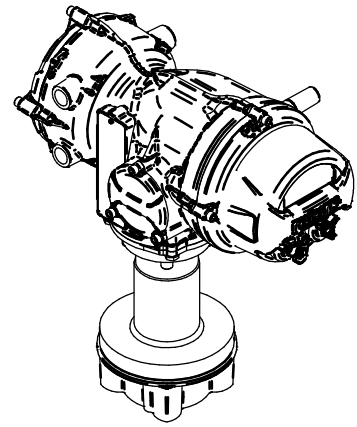
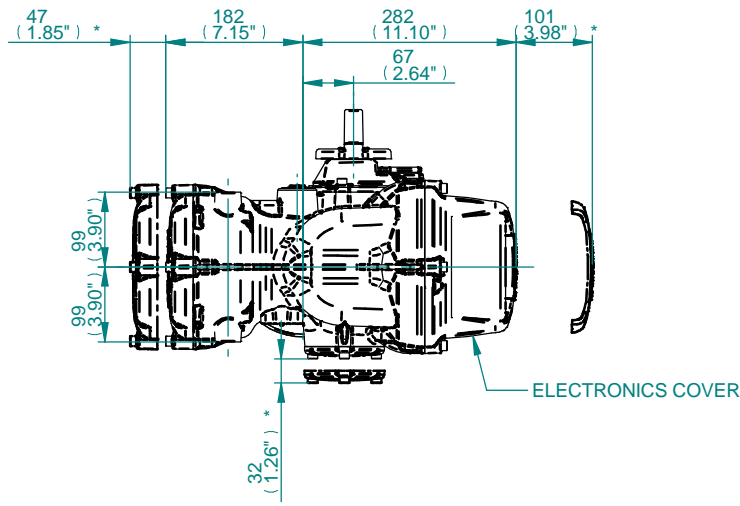


ISOMETRIC VIEW

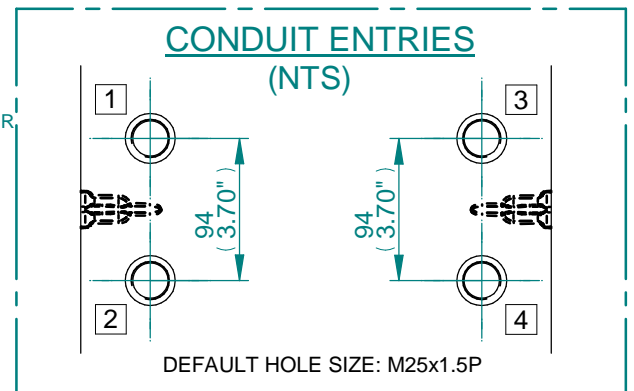
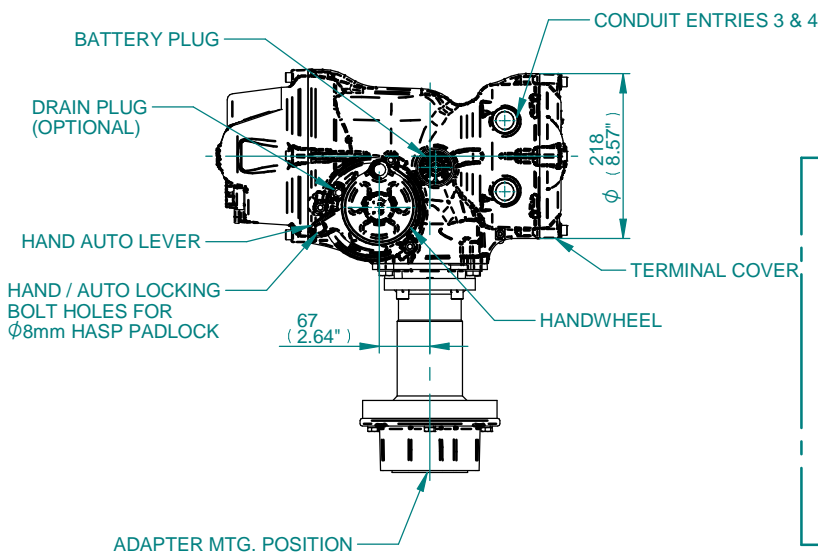
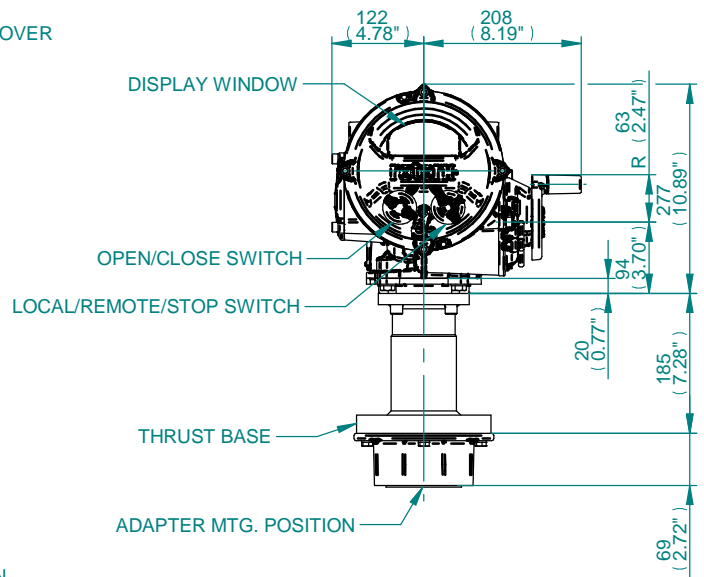
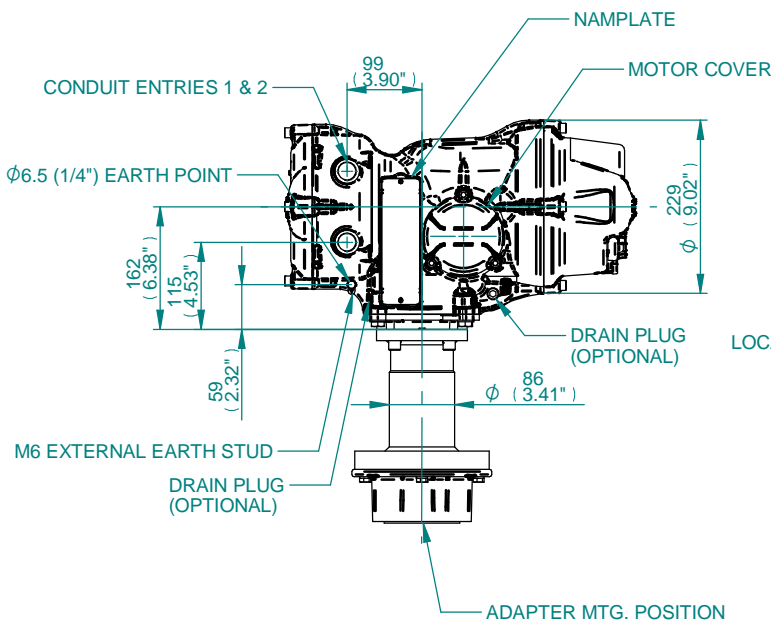


NOTES

1. THE BASE ADAPTER SHOULD BE LOADED TO MTG POSITION INDICATED IF REQUIRED.
2. "*" REMOVAL ALLOWANCE REQUIRED.

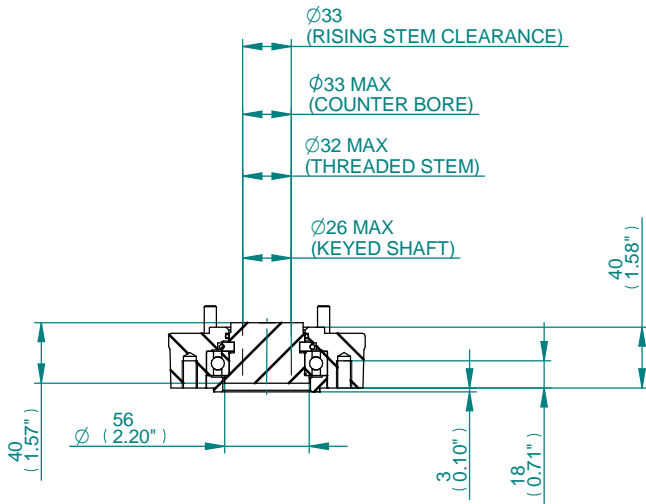


ISOMETRIC VIEW

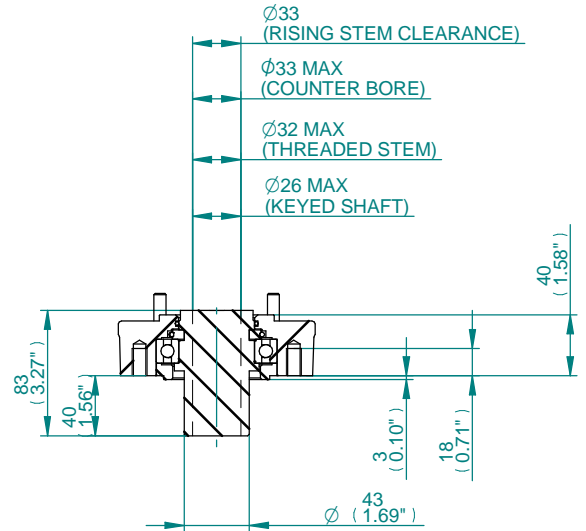


NOTES

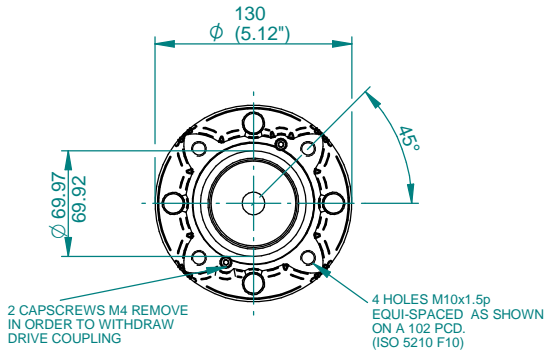
1. THE BASE ADAPTER SHOULD BE LOADED TO MTG POSITION INDICATED IF REQUIRED.
2. "*" REMOVAL ALLOWANCE REQUIRED.



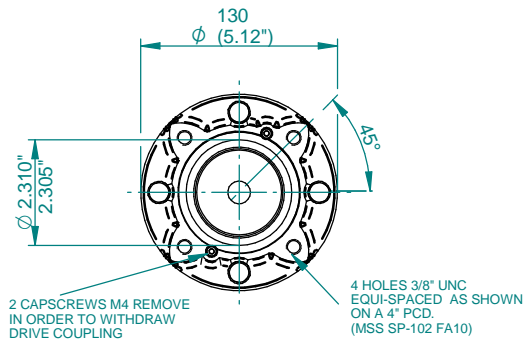
TYPE 'A' COUPLING DETAILS



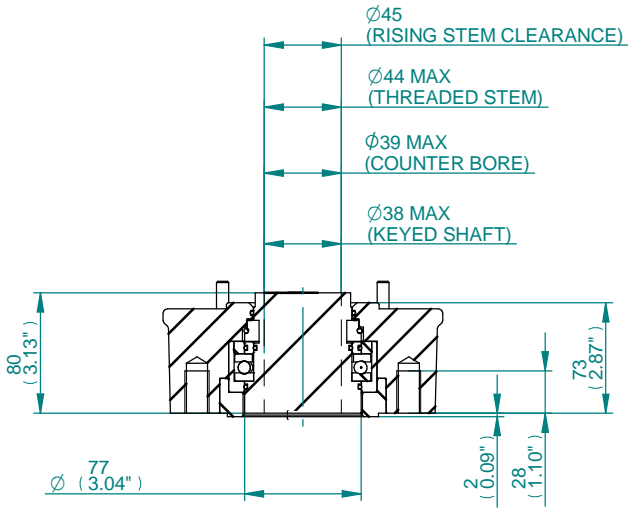
TYPE 'Z3' COUPLING DETAILS



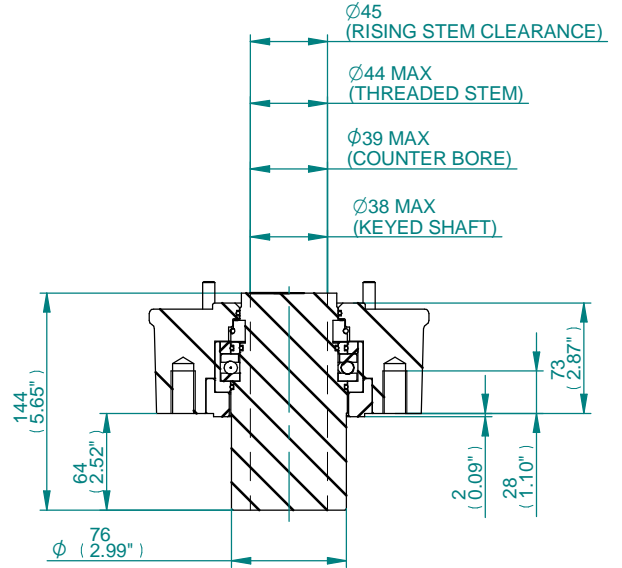
F10 BASE DETAILS FOR 'A' & 'Z3' COUPLINGS



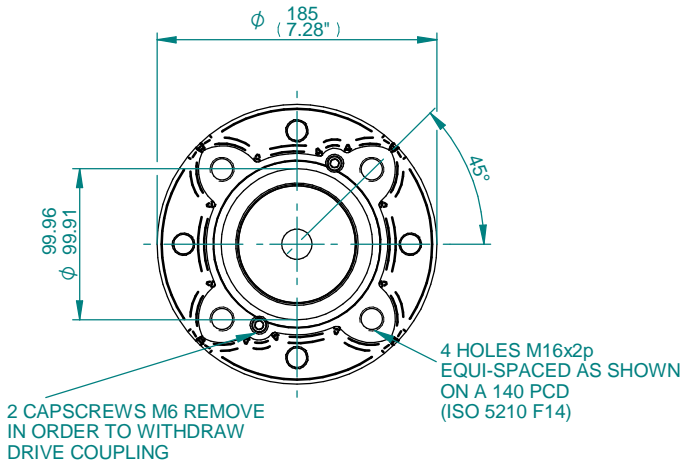
FA10 BASE DETAILS FOR 'A' & 'Z3' COUPLINGS



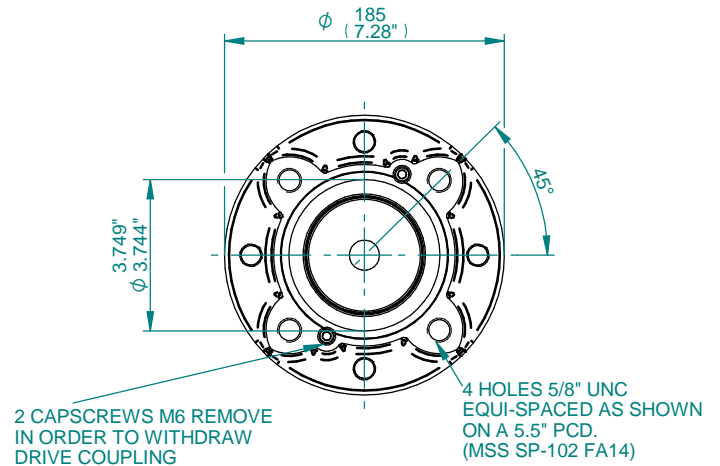
TYPICAL 'A' COUPLING DETAILS



TYPICAL 'Z3' COUPLING DETAILS



F14 BASE DETAILS
FOR 'A' & 'Z3' COUPLINGS



FA14 BASE DETAILS
FOR 'A' & 'Z3' COUPLINGS