





# Kerotest Manifold Connector Options and Accessories

## Products Covered

This catalog provides technical information for Kerotest manifold valve accessories, such as mounting stabilizers, stabilizers with integrated block valve, dielectric isolation kits, and vent plugs.

Item	Features and Benefits	Image
<b>Stabilized Manifold Connector</b>  <b>PAGE 2</b>	<ul style="list-style-type: none"> <li>■ Maximum operating pressure: 6,000 psi (414 bar).</li> <li>■ 3/8" (9.5 mm) bore size.</li> <li>■ Temperature limits: -20°F to 392°F (-29°C to 200°C).</li> <li>■ Body material: ASTM A182 F316 stainless steel or ASTM A105 carbon steel</li> <li>■ Stabilizing foot</li> <li>■ Rolled threads instead of cut threads for higher quality and longer service life</li> <li>■ Feature wrench flats for quick and easy installation</li> <li>■ Includes assembly hardware</li> </ul>	
<b>Stabilized Manifold Connector with Block Valve</b>  <b>PAGE 4</b>	<ul style="list-style-type: none"> <li>■ Maximum operating pressure: 4,000 psi (276 bar)</li> <li>■ 3/8" (9.5 mm) bore size</li> <li>■ Temperature limits: -40°F to 200°F (-40°C to 93°C)</li> <li>■ Body and bonnet material: ASTM A182 F316 stainless steel or ASTM A105 carbon steel</li> <li>■ Stem material: 17-4PH stainless steel</li> <li>■ Handle: Stainless steel or carbon steel, easy grip, round handle</li> <li>■ Stabilizing foot</li> <li>■ Rolled threads instead of cut threads for higher quality and longer service life</li> <li>■ Includes assembly hardware</li> </ul>	
<b>Dielectric Isolation Kits</b>  <b>PAGE 7</b>	<ul style="list-style-type: none"> <li>■ Dielectric strength exceeds 1/32 air arc gap approximately 2,500 Vdc and 5 megohms</li> <li>■ Includes bolts (long and short), sleeves, and assembly hardware</li> <li>■ Single-piece design combines acetal sealing gasket and acetal dielectric shim</li> <li>■ Maximum operating temperature of 150°F (66°C)</li> <li>■ Optional 316 stainless steel bolts meet requirements of NACE MR0175/ISO 15156-3.</li> </ul>	
<b>Vented Plugs</b>  <b>PAGE 8</b>	<ul style="list-style-type: none"> <li>■ A316 Stainless Steel</li> <li>■ Available in 1/8", 1/4", and 1/2" NPT sizes</li> <li>■ Vents are 40 mesh (40 openings per square inch)</li> </ul>	

**Kerotest Manufacturing Corp.**  
 5500 Second Avenue • Pittsburgh, PA 15207  
 412.521.4200  
[www.Kerotest.com](http://www.Kerotest.com) • [Sales@Kerotest.com](mailto:Sales@Kerotest.com)

# Kerotest Manifold Connector Options and Accessories

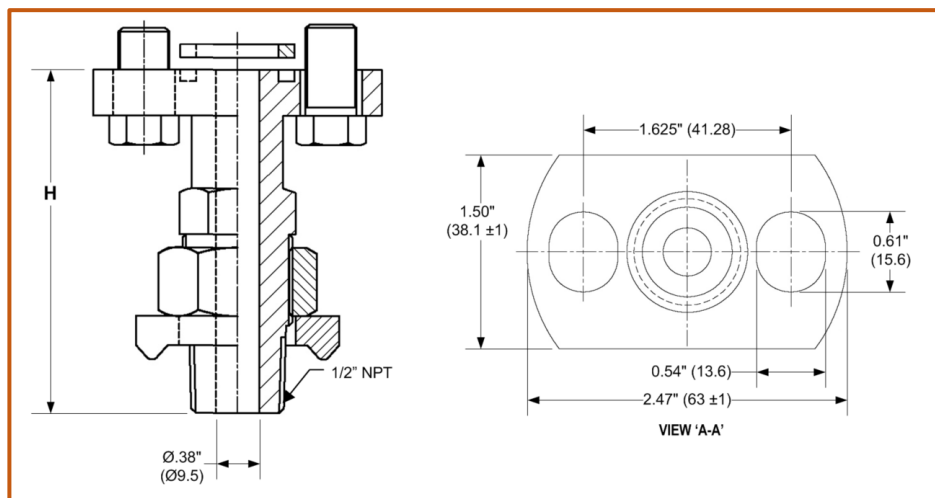
## Stabilizer Connector

### Product Brief

The Kerotest KSFS (short) & KSFL (long) models feature a large bore for increased flow and better readings from measurement devices, as well as smooth operation and easy access to controls. Made to pair with Large Bore Natural Gas Manifolds, these models are available in short and long versions with the option of two shoe styles to accommodate round (i.e., orifice flange unions) or flat (i.e., mini-shoe for senior fittings) surfaces. Slotted bolt holes allow for 2-1/8 and 2-1/4 inch bolt spacing and the large shoe footprint is designed to transfer the radial load away from the NPT threads. Both the KSFS & KSFL are available with a dielectric kit to provide a non-conductive barrier between the instrument and meter run.

### Specifications and Dimensions

- Pressure and Temperature Ratings
  - 6000 psi from  $-20^{\circ}\text{F}$  to  $392^{\circ}\text{F}$  (414 bar from  $-29^{\circ}\text{C}$  to  $200^{\circ}\text{C}$ )
  - Pressure and temperature rating are selected from ANSI B16.34 for Standard class valves based on ANSI B16-Class 2500.
- Optional sour gas service conforms to NACE STD MR-01-75.
- Stabilized Connectors Available in both Stainless Steel (ASTM A182 F316) and Carbon Steel (ASTM A105).
- Mounting Hardware
  - All Stabilizers come standard with an Installation Kit which consists of
    - 4 bolts, 7/16–20 x 1.25" long
    - 4 bolts, 7/16–20 x 2.25" long
    - 4 washers, and 2 gaskets.
  - Bolts are available in both Stainless Steel and Carbon Steel.
- Refer to Kerotest document K-1524 for Stabilizer Installation, Operation, and Maintenance.
- Product is sold in pairs.



# Kerotest Manifold Connector Options and Accessories

## Catalog Convention **KSF** **L** **S** **SQ** **SG** *Example*

### Style

KSF – Stabilizer

### Type

S – Short

L – Long

### Body Material

S – ASTM A182 F316 Stainless Steel

C – ASTM A105 Carbon Steel

### Shoe Type

HS – Hex with Round Shoe (1-1/2" Dia)

MS – Mini Rectangular Shoe (2.00" x 1.38")

SQ – Square Shoe (1.75" x 1.75")

### Options

OC – Cleaned for Oxygen Service

HD – Hydrostatic Testing

SG – Sour Gas Meets the Requirements of NACE MR0175/ISO 15156

SP – Special Requirements – Please Specify

### Separate Orderable Options

60001123 Mount Kit, SS, 2 1/4" Bolts

60001124 Mount Kit, CS, 2 1/4" Bolts

60001212 Mount Kit, SS, 1 1/4" and 2 1/4" Bolts

60001213 Mount Kit, CS, 1 1/4" and 2 1/4" Bolts

### Stabilizer Connector Stock Items

Catalog No.	Part No.	H	Body Material
KSFLCMS	60001170	4.92" (125 ±2 mm)	ASTM A105
KSFLSMS	60001171		ASTM A182 F316
KSFSCMS	60001172	2.95" (75 ±2 mm)	ASTM A105
KSFSSMS	60001173		ASTM A182 F316

# Kerotest Manifold Connector Options and Accessories

## Stabilizer with Integral Block Valve

### Product Brief

Kerotest stabilizers are designed to reinforce the entire installation by shifting the radial stress load away from the NPT connections. These valves, in either needle or ball valve can be installed on either side of the stabilized body, allowing 1/2-turn installation, and the slotted bolt holes allow for 2-1/8 and 2-1/4 inch bolt spacing. The replaceable Delrin® or Tefzel® seat and straight-through porting provide both bidirectional, high-capacity flow and easy roddable cleaning. Optional dielectric barrier creates a non-conductive shield between the instrument and the orifice fitting.

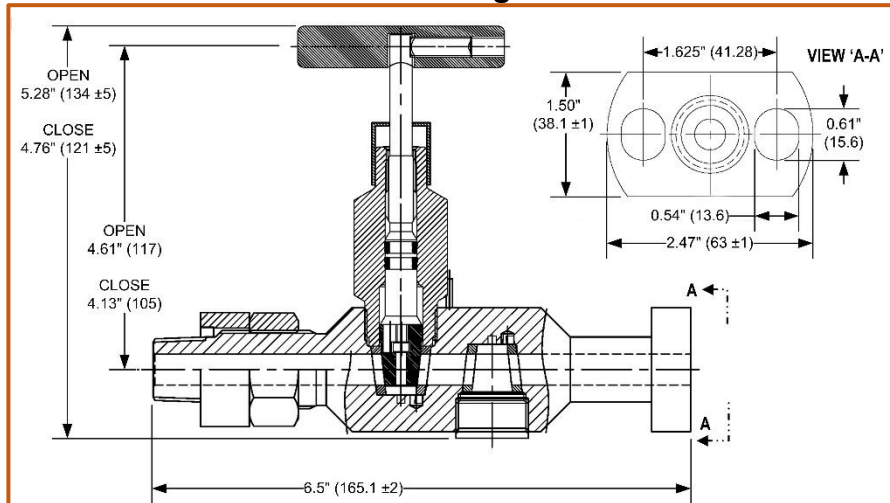
- Complies with ASME B31.1 & B31.3 shell and seat testing procedures, ensuring structural integrity and zero leakage.
- Stem packing prevents corrosion of critical threads and promotes longer stem life.
- Metal body-to-bonnet seals are in compression instead of tension, mitigating risk of stress cracks.
- Rolled threads ensure higher quality and longer service life.
- Non-rotating tapered tip stem plug extends soft seat life and ensures positive shut-off.
- Non-backout stem design prevents blowouts and in-field replacements.
- Packing life extended by use of 8 RMS stem finish.
- V-style PTFE packing reduces operational torque and frequency of packing adjustments up to 40%.
- Full traceability of materials sourced in U.S., Canada, and Europe.
- Optional two-piece design eliminates valve bonnet assembly and potential for leaks.
- Refer to Kerotest document K-1524 for Stabilizer Installation, Operation, and Maintenance.

### Specifications and Dimensions

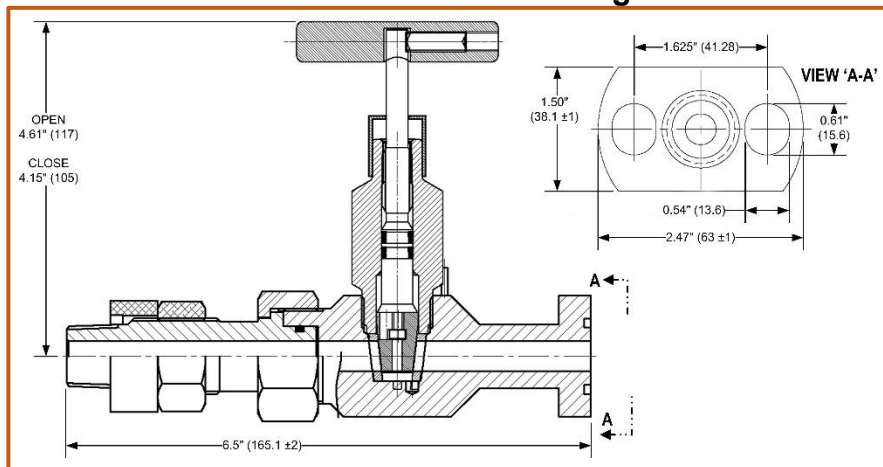
- Inlet connections: 1/2" NPT(M)
- Outlet connections: 2-bolt integral flange
- All valves are 100% factory tested per MS SP 99 prior to shipment
- Rated Cold Working Pressure (CWP): 4,000 psig (276 bar) @ -40°F to 100°F (-40°C to 38°C), 2,000 psi at 200°F (138 bar at 93°C)
  - Shell test pressure: 6,000 psig (414 bar)
  - Seat test pressure: 4,400 psig (303 bar)
- Temperature rating: Delrin® -40°F to 200°F (-40°C to 93°C)
- Material of construction: Body ASTM A182 F316 or A105 Carbon Steel
- Optional sour gas service valves are available
- Bore size: 3/8" (9.5 mm)
- Needle valve versions have non-rotating tip for better shut-off
- Product is sold in pairs

# Kerotest Manifold Connector Options and Accessories

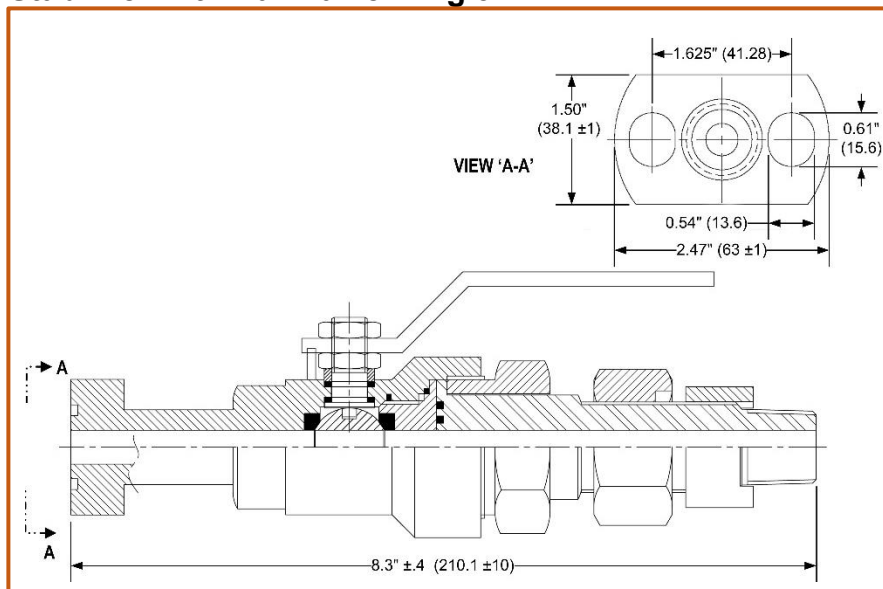
## Stabilizer with Needle Valve – Fig 1



## 2 Piece Stabilizer with Needle Valve – Fig 2



## Stabilizer with Ball Valve – Fig 3



# Kerotest Manifold Connector Options and Accessories

## Stabilizer with Integrated Block Valve Catalog Convention

		<b>KSFN</b>	<b>S</b>	<b>R</b>	<b>D</b>	<b>MS</b>	<b>-2P</b>	<i>Example</i>
<b>Style</b>								
KSFN	–	Stabilizer w/ Needle Block Valve						
KSFB	–	Stabilizer w/ Ball Block Valve						
<b>Body Material</b>								
S	–	316 Stainless Steel						
C	–	ASTM A105 Carbon Steel						
<b>Stem Seal</b>								
R	–	Viton®						
V	–	PTFE						
<b>Seat</b>								
D	–	Delrin®						
Z	–	Tefzel®						
<b>Shoe Type</b>								
HS	–	Hex with Round Shoe (1-1/2" Dia)						
MS	–	Mini Rectangular Shoe (2.00" x 1.38")						
<b>Options</b>								
BL	–	Bonnet Lock Device						
OC	–	Cleaned for Oxygen Service						
HD	–	Hydrostatic Testing						
SG	–	Sour Gas - Meets the Requirements of NACE MR0175/ISO 15156						
SP	–	Special Requirements – Please Specify						
2P	–	2 Piece Design (Installed without Bonnet removal)						

### Separate Orderable Options

60001123	Mount Kit, SS, 2.25" Bolts
60001124	Mount Kit, CS, 2.25" Bolts
60001212	Mount Kit, SS, 1.25" and 2.25" Bolts
60001213	Mount Kit, CS, 1.25" and 2.25" Bolts

### Stabilizer with Integrated Block Valve Stock Items

Catalog PN	Part No	Figure	Valve Type	Seat	Shoe Type	Material
KSFNSRDMS	60001174	1	Needle	Delrin®	Mini Shoe	316 SS
KSFNCRDMS	60001175	1	Needle	Delrin®	Mini Shoe	A105 CS
KSFBSRDMS	60001178	3	Ball	Delrin®	Mini Shoe	316 SS
KSFBCRDMS	60001179	3	Ball	Delrin®	Mini Shoe	A105 CS
KSFNSRZMS	60001284	1	Needle	Tefzel®	Mini Shoe	316 SS
KSFNCRZMS	60001285	1	Needle	Tefzel®	Mini Shoe	A105 CS
KSFNSRDMS-2P *	60001286	2	Needle	Delrin®	Mini Shoe	316 SS

\* 2-piece design, no bonnet removal required

# Kerotest Manifold Connector Options and Accessories

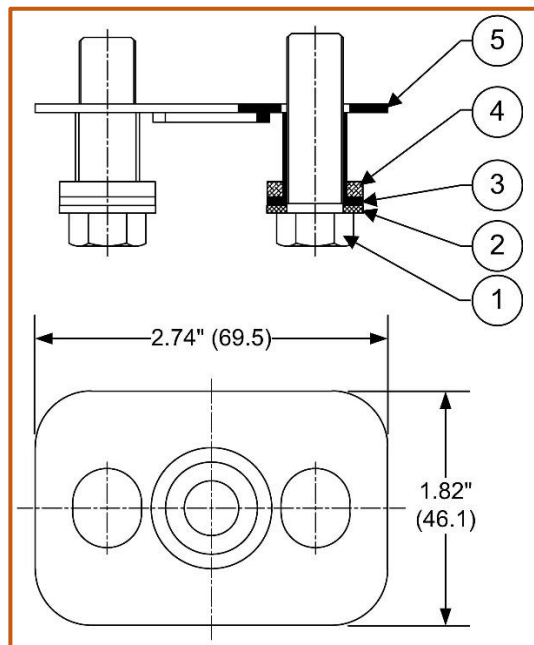
## Dielectric Kit

### Product Brief

The Kerotest Dielectric Kit is designed to provide the safety and corrosion protection required to maintain the integrity and reliability of the pipeline and piping system. The Dielectric Kit provides a non-conductive barrier between the process piping and the instrument that isolates components from the effects of electrical current. By eliminating metal-to-metal contact, current is halted, thus preventing corrosion and aiding in the cathodic protection of the system.

### Specifications and Dimensions

- Dielectric strength exceeds 1/32" (0.8 mm) air arc gap at 2,500 VDC and 5 MOhms
- Single-piece design combines acetal sealing gasket and acetal dielectric shim
- Maximum operating temperature of 150°F (66°C).
- Optional 316 stainless steel bolts meet requirements of NACE MR0175/ISO 15156-3.



Item	Description	Qty
1	Hex Cap Bolt, 7/16-20UNFx1.25" Long	4
	Hex Cap Bolt, 7/16-20UNFx2.25" Long	4
2	Washer 1	4
3	Bolt Sleeve	4
4	Washer 2	4
5	Flange Seal	2
6	Hex Nut, 7/16-20UNF **	4

\*\* Not shown in figure

### Catalog Convention

**KDK**

**S**

*Example*

#### Style

KDK – Dielectric Kit

#### Bolting Material

C – Carbon Steel

S – 316 Stainless Steel

### Dielectric Kit Stock Items

Catalog No	Part No	Hardware Material
KDKC	60001192	Carbon Steel
KDKS	60001193	Stainless Steel

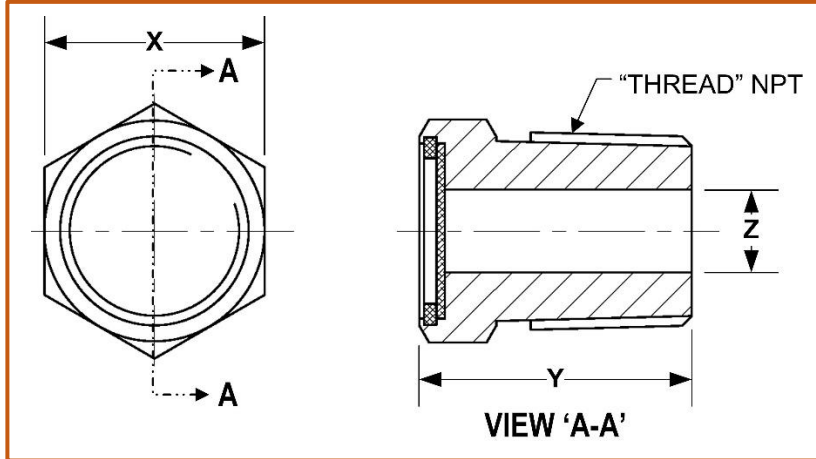
# Kerotest Manifold Connector Options and Accessories

## Vented NPT Plugs

### Product Brief

The Kerotest Vented Plugs provide protection for test ports to prevent the ingress of debris, dirt, or insects into the manifold. The plugs are stainless steel to provide long-term durability in harsh environments.

### Specifications and Dimensions



### Vented Plugs Stock Items

Part No	Thread Size	X	Y	Z
60000510	1/8" NPT (M)	0.56" (14.2)	0.610" (15.50)	0.157" (4.00)
60000508	1/4" NPT (M)	0.56" (14.2)	0.779" (19.79)	0.197" (5.00)
60000509	1/2" NPT (M)	1.00" (25.4)	1.024" (26.01)	0.405" (10.29)