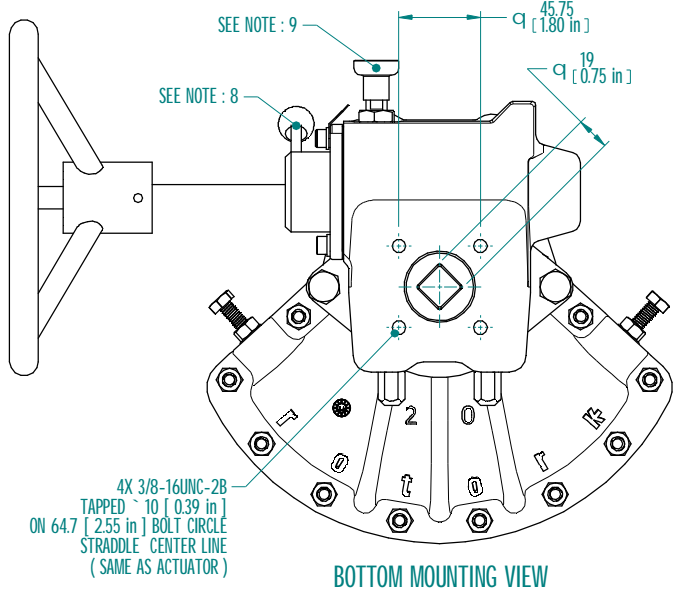
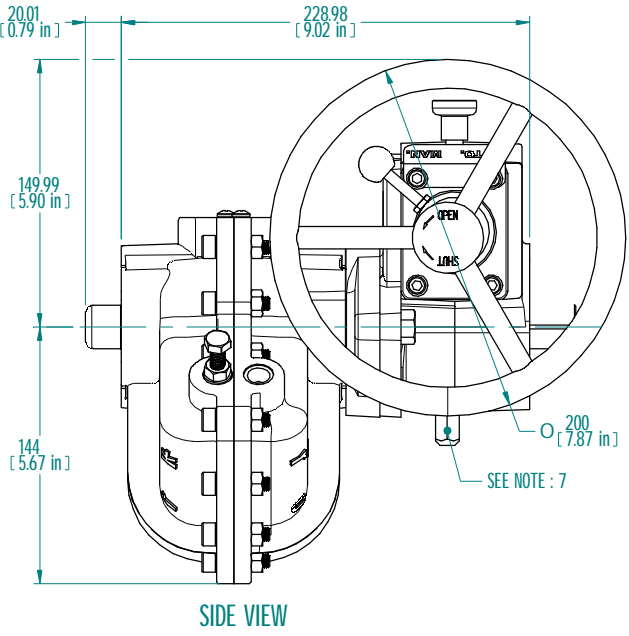
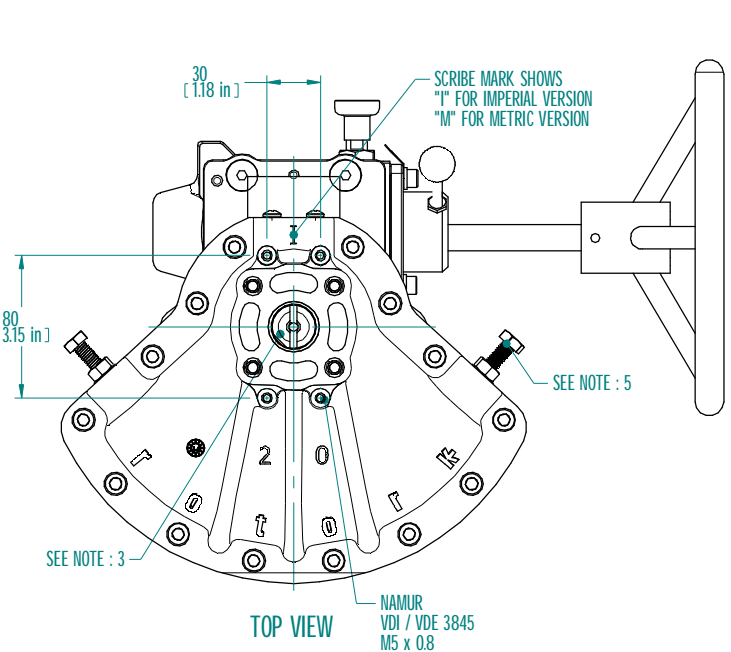
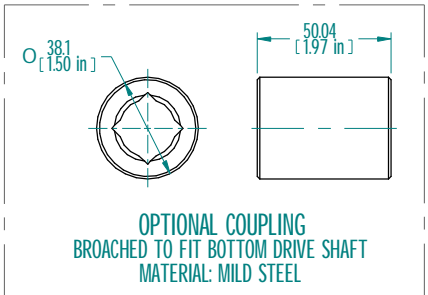
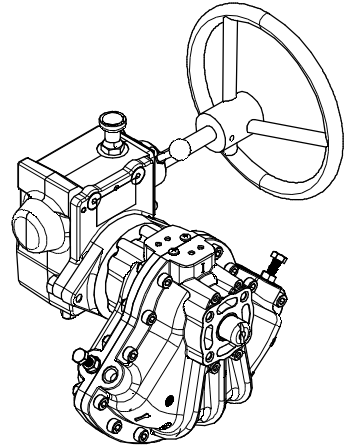
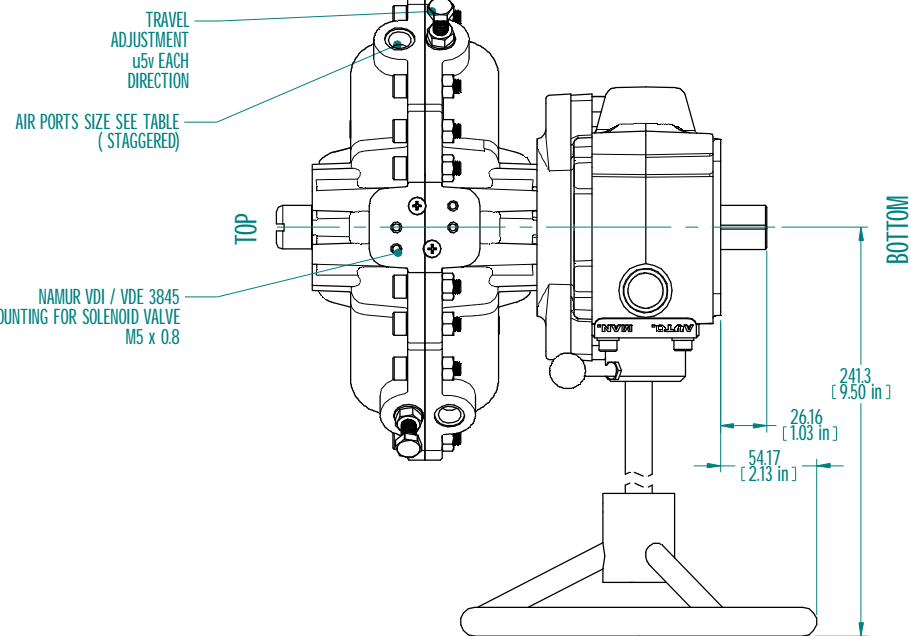


NOTES:

1. MAX. ALLOWABLE OPERATING PRESSURE (MAOP) = 10 BAR (150 PSIG)
2. WARNING - SEE ROTORK INSTALLATION, OPERATION & MAINTENANCE MANUAL BEFORE MOUNTING, INSTALLING OR SERVICING.
3. ACTUATOR SHOWN IN FULL CW POSITION, FLAT ON SHAFT SHOWS VANE LOCATION.
4. WEIGHT 14.71 KG (32.44 LB.)
5. RESTRICTED TRAVEL VERSIONS OPTIONAL.
6. ACTUATOR MAY BE REMOVED FROM AUTOMATED VALVE WHILE GEAR REMAINS ATTACHED TO OPERATE THE VALVE OR DAMPER
7. GEARBOX MECHANICAL STOPS, ADJUSTABLE
8. GEAR ENGAGEMENT LEVER
9. DECLUTCH PULL-PIN

	IMPERIAL	METRIC
AIR PORT SIZE	1/4-18 NPT	G1/4



		Document type		GENERAL ARRANGEMENT		Title	
		Dimensions in mm Scale 1:2		KT-20-DA-HWMO - IMPERIAL / METRIC AIR PORTS & MOUNTING HOLES			
Created	K.SEKAR	12-JUN-2015	Checked	S.SUDHR	12-JUN-2015	Drawing Number	Rev
Approved	K.PRICE	12-JUN-2015	Approved	K.PRICE	12-JUN-2015	D000000220	B
Sheet 1 of 1						Size	A3

B	K.SEKAR	K.PRICE	14-JUL-2015	DESCRIPTION UPDATED	
A	K.SEKAR	K.PRICE	12-JUN-2015	REDRAWN: SOLID EDGE 3D	
Rev	ECN	Revised	Approved	Date	Change Description

Rev. C