

**NOTES:**

1. MAX. ALLOWABLE OPERATING PRESSURE (MAOP) = 10 BAR (150 PSIG)
2. WARNING - SEE ROTORK INSTALLATION, OPERATION & MAINTENANCE MANUAL BEFORE MOUNTING, INSTALLING OR SERVICING.
3. ACTUATOR SHOWN IN FULL CW POSITION, FLAT ON SHAFT SHOWS VANE LOCATION.
4. WEIGHT 29.21 KG (64.4 LB.)
5. RESTRICTED TRAVEL VERSIONS OPTIONAL.
6. ACTUATOR MAY BE REMOVED FROM AUTOMATED VALVE WHILE GEAR REMAINS ATTACHED TO OPERATE THE VALVE OR DAMPER
7. GEARBOX MECHANICAL STOPS, ADJUSTABLE
8. GEAR ENGAGEMENT LEVER
9. DECLUTCH PULL-PIN

|               | IMPERIAL   | METRIC |
|---------------|------------|--------|
| AIR PORT SIZE | 3/8-18 NPT | G3/8   |

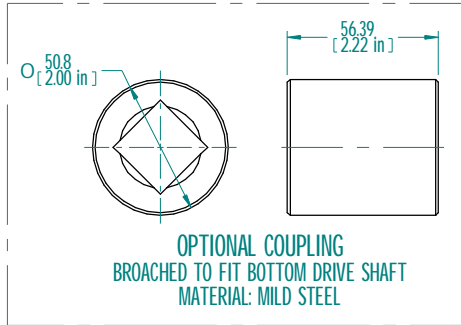
TRAVEL  
ADJUSTMENT  
±5% EACH  
DIRECTION

AIR PORTS SEE TABLE  
(STAGGERED)

NAMUR VDI / VDE 3845  
MOUNTING FOR SOLENOID VALVE  
M5 x 0.8

TOP

BOTTOM



195 [0.77 in]

282 [11.10 in]

210.97 [8.31 in]

182.5 [7.19 in]

300 [11.81 in]

SEE NOTE : 9

SEE NOTE : 8

54.87 [2.16 in]

24.92 [0.98 in]

4X 1/2-13UNC-2B  
TAPPED ~ 18 [0.7 in]  
ON 77.6 [3.06 in] BOLT CIRCLE  
STRADDLE CENTER LINE  
(SAME AS ACTUATOR)

SEE NOTE : 3

TOP VIEW

NAMUR  
VDI / VDE 3845  
M5 x 0.8

SCRIBE MARK SHOWS  
"I" FOR IMPERIAL VERSION  
"M" FOR METRIC VERSION

SEE NOTE : 5

SIDE VIEW

BOTTOM  
MOUNTING VIEW

|     |         |         |             |                        |
|-----|---------|---------|-------------|------------------------|
| B   | K.SEKAR | K.PRICE | 14-JUL-2015 | DESCRIPTION UPDATED    |
| A   | K.SEKAR | K.PRICE | 12-JUN-2015 | REDRAWN: SOLID EDGE 3D |
| Rev | ECN     | Revised | Approved    | Date                   |
|     |         |         |             | Change Description     |

**rotork**

Dallas, Texas - USA

www.rotork.com

This drawing is confidential and is the property of Rotork Dallas Inc. and must not be reproduced either wholly or partly. All rights in respect of patents, designs and copyrights are reserved. © 2015

| Document type |         | GENERAL ARRANGEMENT |              | Title                                                        |    |
|---------------|---------|---------------------|--------------|--------------------------------------------------------------|----|
|               |         | Dimensions in mm    |              | KT-30-DA-HWMO - IMPERIAL / METRIC AIR PORTS & MOUNTING HOLES |    |
|               |         | Scale 1:2           |              | Drawing Number                                               |    |
| Created       | K.SEKAR | 12-JUN-2015         | D000000224   |                                                              |    |
| Checked       | S.SUDHR | 12-JUN-2015         | Rev B        |                                                              |    |
| Approved      | K.PRICE | 12-JUN-2015         | Sheet 1 of 1 | Size                                                         | A3 |