

MODEL 5030

The Model 5030 Thermoelectric Generator contains no moving parts. It is a reliable, low-maintenance source of DC electrical power for any application where regular utilities are unavailable or unreliable.

KEY FEATURES:

- ✦ Automatic Spark Ignition (SI)
- ✦ Automatic Fuel Shut-Off (SO)
- ✦ Fuel Filter
- ✦ Low Voltage Alarm Contacts (VSR)
- ✦ Reverse Current Protection

OPTIONAL FEATURES:

- ✦ Pole or Bench Stand
- ✦ Corrosive Environmental Fuel System



SPECIFICATIONS

POWER SPECIFICATIONS

POWER RATING AT 20°C (68°F)

21 Watts @ 12 Volts
21 Watts @ 24 Volts

ELECTRICAL

OUTPUT ADJUSTMENT RANGE

12 Volts 12–18 Volts
24 Volts 24–30 Volts

Output: Terminal block which accepts up to 10 AWG wire. Opening for 3/4" conduit in base of cabinet.

FUEL REQUIREMENTS

NATURAL GAS

2.1m³/day (74 Sft³/day)
1000 BTU/Sft³ (37.7 MJ/Sm³) gas
max 115 mg/Sm³ (~170 ppmw) H₂S
max 120 mg/Sm³ H₂O
max 1% free O₂

PROPANE

3.0 L/day (0.8 US gal/day)

NATURAL GAS/PROPANE

Max. Supply Pressure: 172 kPa (25 psi)
Min. Supply Pressure NG: 69 kPa (10 psi)
Min. Supply Pressure LPG: 103 kPa (15 psi)
Fuel Connection: 1/4" Male NPT

ENVIRONMENTAL

AMBIENT OPERATING TEMPERATURE

Max. +45°C (115°F)
Min. -40°C (-40°F)

OPERATING CONDITIONS

Unsheltered operation

Please contact GPT for operating conditions below -40°C or above +45°C.

CONSTRUCTION

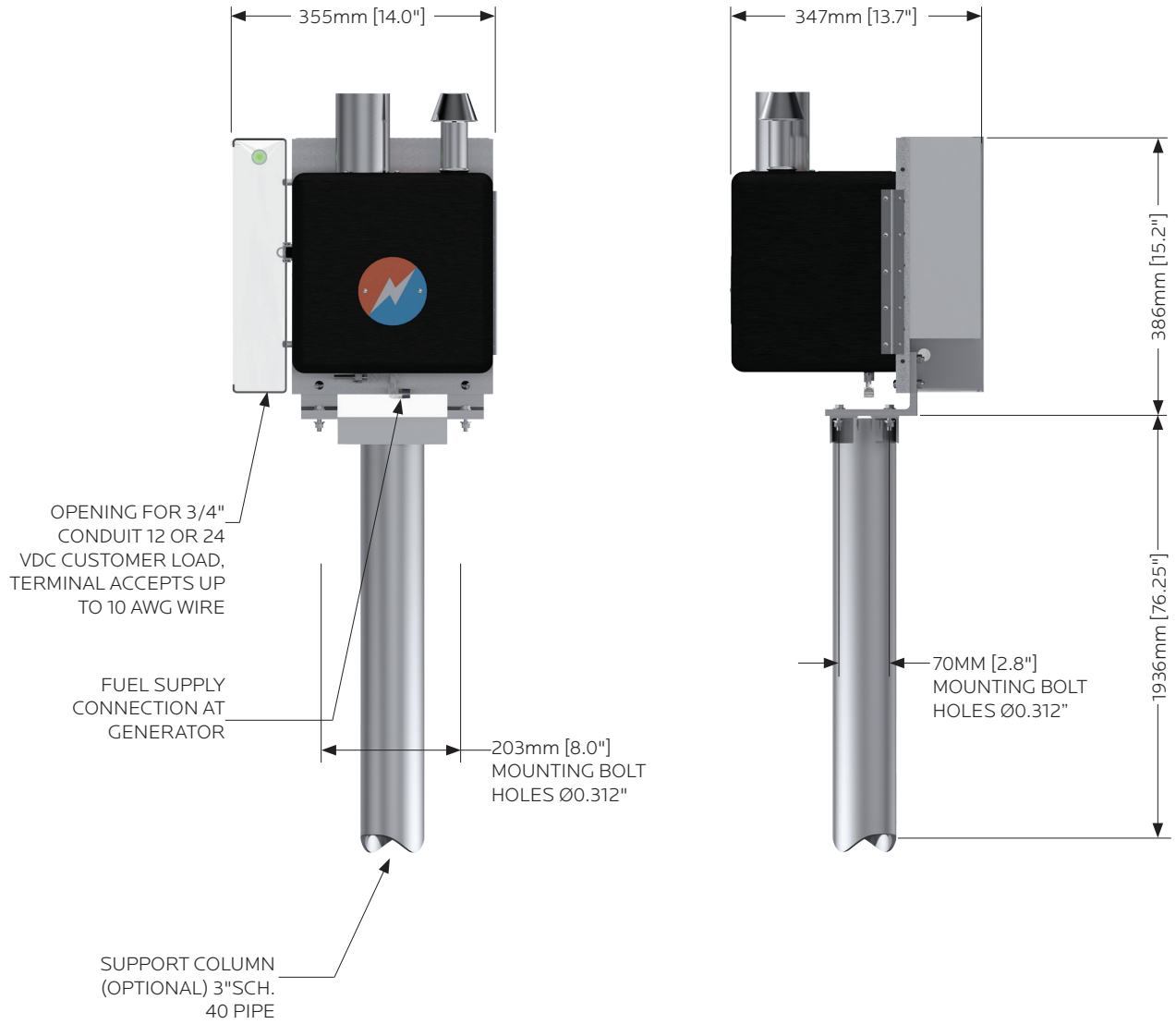
MATERIALS

Cabinet: Aluminum
Cooling Type: Natural Convection
Fuel System: Brass, Aluminum & Stainless Steel

NOTES

Specifications shown are for standard 5030 configurations. Global Power Technologies (GPT) also offers customized products and systems to accommodate custom voltages, fuel supply systems and operating temperatures.

Specification data stated in this document is subject to change without notice. To verify these specifications are current, please contact your GPT sales representative.



NOTES:
Generator Weight: 18 kg [40 lb]

ISO
9001:2015
REGISTERED