

MODEL 5060

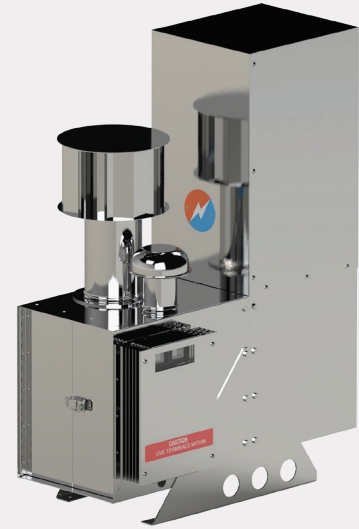
The Model 5060 Thermoelectric Generator contains no moving parts. It is a reliable, low-maintenance source of DC electrical power for applications where grid power is unavailable or unreliable.

KEY FEATURES:

- ✓ Automatic Spark Ignition (SI)
- ✓ Automatic Fuel Shut-Off (SO)
- ✓ Fuel Filter
- ✓ Low Voltage Alarm Contacts (VSR)
- ✓ Volt & Amp Meter (6.7V excluded)
- ✓ Reverse Current Protection

OPTIONAL FEATURES:

- ✓ Cathodic Protection Interface
- ✓ Pole or Bench Stand
- ✓ Corrosive Environmental Fuel System
- ✓ Flame Arrestor
- ✓ Remote Start



SPECIFICATIONS

POWER SPECIFICATIONS

POWER RATING AT 20°C (68°F)

60 Watts @ 6.7 Volts	54 Watts @ 24 Volts
54 Watts @ 12 Volts	54 Watts @ 48 Volts

ELECTRICAL

OUTPUT ADJUSTMENT RANGE

6.7 Volts	up to 11 Volts
12 Volts	12–18 Volts
24 Volts	24–30 Volts
48 Volts	48–60 Volts

Output: Terminal block which accepts up to 8 AWG wire. Opening for 3/4" conduit in base of cabinet.

FUEL REQUIREMENTS

NATURAL GAS

4.4m³/day (155 Sft³/day)
1000 BTU/Sft³ (37.7 MJ/Sm³) gas
max 115 mg/Sm³ (~170 ppmw) H₂S
max 120 mg/Sm³ H₂O
max 1% free O₂

PROPANE

5.7 L/day (1.5 US gal/day)

NATURAL GAS/PROPANE

Max. Supply Pressure: 172 kPa (25 psi)
Min. Supply Pressure NG: 69 kPa (10 psi)
Min. Supply Pressure LPG: 103 kPa (15 psi)
Fuel Connection: 1/4" Male NPT

ENVIRONMENTAL

AMBIENT OPERATING TEMPERATURE

Max. +45°C (115°F)
Min. -40°C (-40°F)

OPERATING CONDITIONS

Unsheltered operation

Please contact GPT for operating conditions below -40°C or above +45°C.

CONSTRUCTION

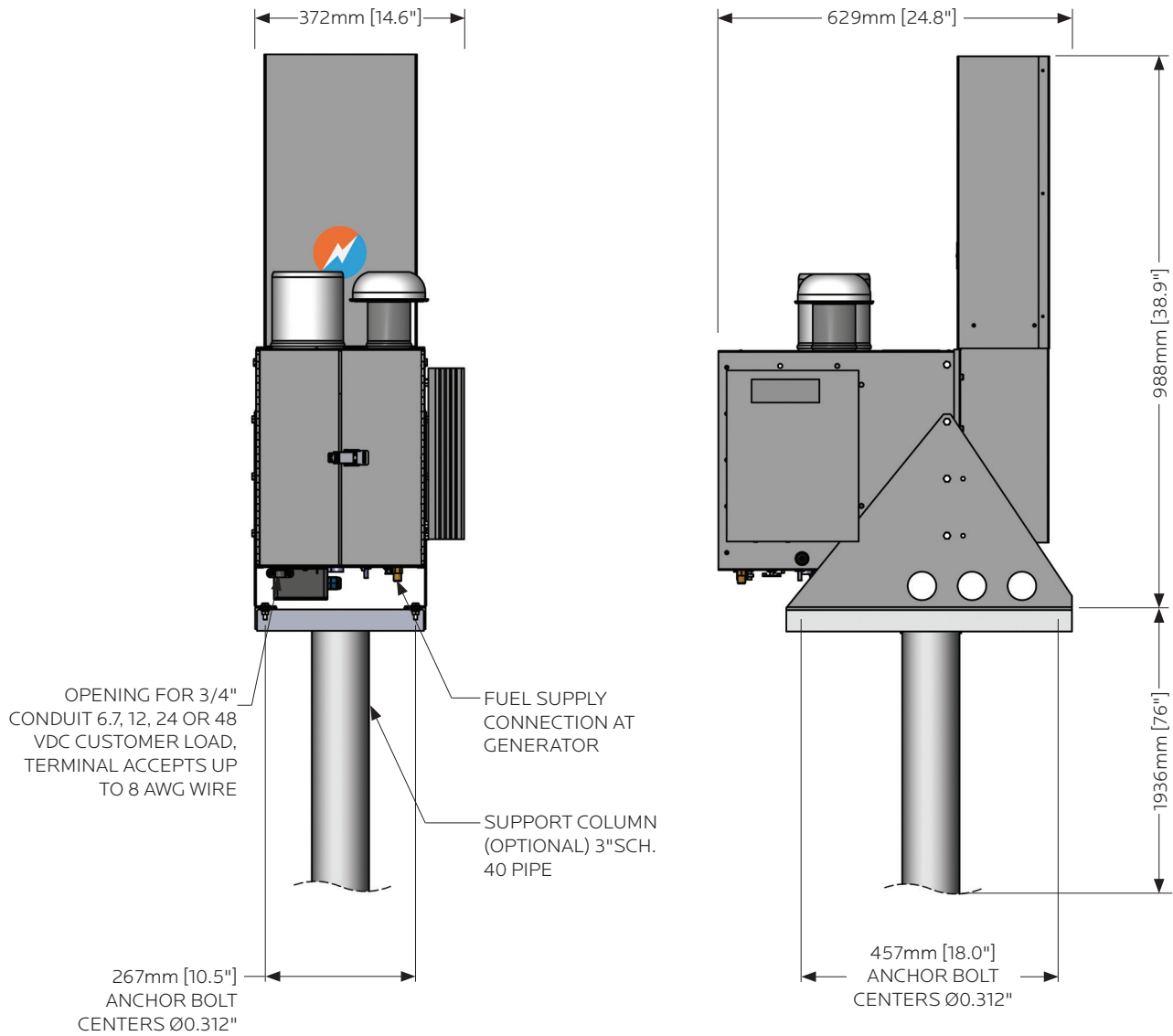
MATERIALS

Cabinet: 304 Stainless Steel (SS)
Cooling Type: Natural Convection
Fuel System: Brass, Aluminum & Stainless Steel

NOTES

Specifications shown are for standard 5060 configurations. Global Power Technologies (GPT) also offers customized products and systems to accommodate custom voltages, fuel supply systems and operating temperatures.

Specification data stated in this document is subject to change without notice. To verify these specifications are current, please contact your GPT sales representative.



NOTES:
Generator Weight: 41 kg [90 lb]

ISO
9001:2015
REGISTERED