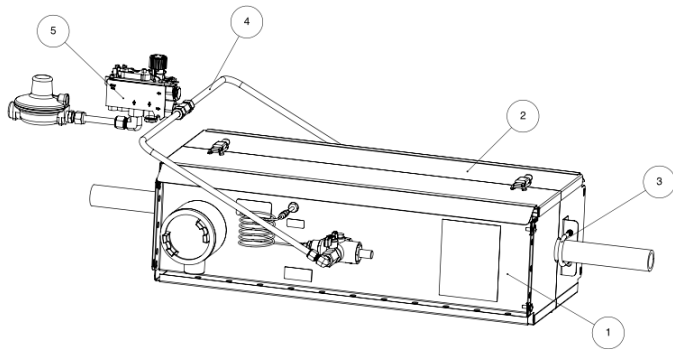


Product Overview

Catco Pipeline Packs use one or more catalytic heaters to heat a pipe and warm whatever is flowing through it. They're used throughout the energy industry to preheat gas upstream of valves, regulators, chokes, and other equipment to prevent hydrate formation and freeze ups.



1. A catalytic heater, which is fueled by natural gas but never produces a flame, is the heat source. Depending on the model, a Pipeline Pack uses one, two, or four catalytic heaters to provide 3000 to 24,000 BTU/hr.
2. The heaters are housed in a stainless steel enclosure, which positions the heaters near the pipe and provides weather protection for the heaters.
3. Pipeline Packs are installed to an existing pipe, so installation is fast and simple. U-bolts secure the enclosure to the pipe, and installation only requires hand tools.
4. For units with multiple heaters, the fuel supply is managed with the fuel gas manifold. A single fuel input regulates and distributes fuel to each heater.
5. A thermostat can be integrated into the fuel gas manifold for temperature control. The user can specify the desired temperature, and when the set point is reached the heater reduces its output to prevent overheating equipment.

Available Models

71-044



The 71-044 is for light-duty applications such as heating gas upstream of small control valves. It uses one or two 6x12 catalytic heaters for 3000 or 6000 BTU/hr.

71-045



The 71-045 is for medium-duty applications such as preventing hydrate formation in chokes and large control valves. It uses one or two 6x24 catalytic heaters for 6000 or 12,000 BTU/hr.

71-502



The 71-502 is for heavy-duty applications such as freeze prevention in city gate stations. It uses four 6x24 catalytic heaters for 24,000 BTU/hr. Multiple units can be used in series for higher BTU requirements.

Heater Configurations

The catalytic heaters installed in the pipeline pack can be configured in several ways, depending on the needs of your application. Options include units that are certified for hazardous areas by FM and CSA.

Contact Catco for assistance on choosing the right heater configuration for your installation.

Config	Hazardous Location Listing		Junction Box		Valve and Thermo-couple
	Class I Div 1 Group D	Class I Div 2 Group D	Plain	EP	
-10			•		
-20				•	
-30		•	•		•
-40	•	•		•	•
-50	•	•		•	•