

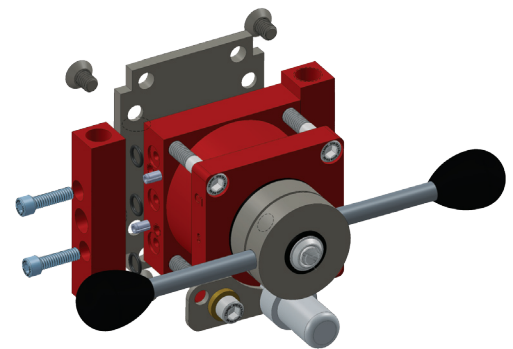
## The VMO Valve Manual Override Provides Manual Operation of Pneumatically Actuated Control Valves and [ON OFF] Remote Control Valves

### DESCRIPTION

The VMO Valve Manual Override is the ideal device to provide manual operation of pneumatically actuated [ON-OFF] Remote Control Valves [RCV's] and Regulating Control Valves. The VMO allows the operator to override the primary control instrumentation and position the actuated valve in open, closed or any intermediate positions. VMO Series Valve Manual Overrides are the perfect device for valve maintenance, commissioning or emergency operation. All units are provided with standard locking provision to prevent unauthorized operation and facilitate lockout / tagout procedures.

### FEATURES

- Low profile mounting system ensures easy adaptation to your actuator/application.
- VMO design is 20% less weight and half the size of similar products.
- Perfect device for valve maintenance, commissioning or emergency operation.
- Facilitates lockout/tagout procedures.
- VMO Safety Button feature prevents accidental operation.
- Compatible with almost all pneumatic actuators.
- Standard with locking provision to prevent unauthorized operation.
- Reliable, Rugged & maintenance free.
- Manifold port design ensures easy installation
- High visibility "Red Square" format ensure easy locating during emergency situations.
- Powder coat epoxy topcoat provide rugged protection for the most aggressive installations.



### VMO VALVE MANUAL OVERRIDE

The VMO is ideally suited for operation of almost all configurations of pneumatically actuated control valves and RCV's. The VMO is the ideal companion to control instrumentation on regulating control valves and solenoid valves on Remote Control Valves (RCV's). The VMO is universally compatible with almost all types and brands of pneumatic actuators. Contact VRG or your local sales representative for more details

### COMPATIBLE ACTUATOR TYPES

Double Acting Piston  
Spring Return Piston  
Scotch Yoke Style  
Crank Arm Style  
Spring & Diaphragm Rotary  
Spring & Diaphragm Linear  
Rotary Vane  
Rack & Pinion

### COMPATIBLE INSTRUMENTATION

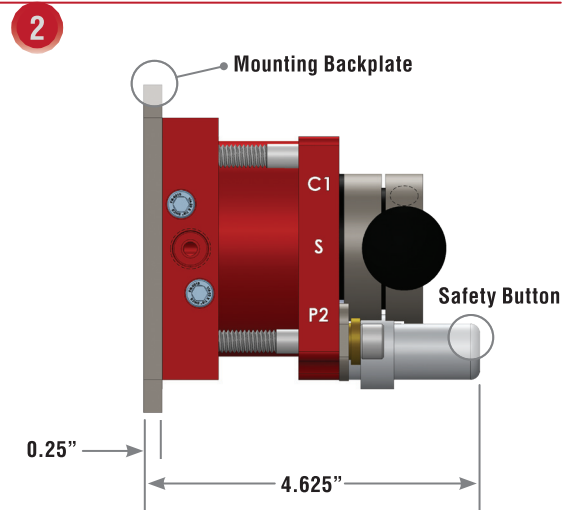
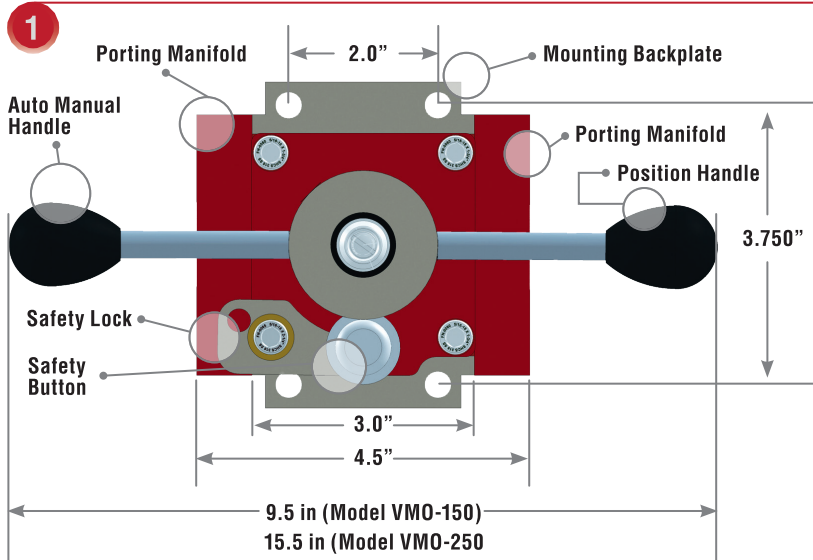
Pneumatic Valve Positioners  
Electro-Pneumatic Positioners  
Valve Pilot Controllers  
Digital Valve Controllers  
Solenoid Valves  
Pilot-Operated Valves  
VPC Valve Pilot Controllers

### PLUG AND PLAY WITH VRG

VMO Valve Manual Overrides are compatible with all VRG Controls manufactured instrumentation.



## Rugged Design Features Provide Trouble-Free and Reliable Service!



### Compatible Actuators

ATI • Becker • Bettis • Biffi • Fisher • Flowbus • Flowserve  
Ledeon • Masoneilan • Paladon Controls • QTRCO • Rotork  
RSVP • Sampson • and Many Others

### Available Models

VMO Model	P <sub>Supply</sub> Max.	P <sub>Differential</sub> Max.
VMO-150	400 psig	150 psid
VMO-250	400 psig	250 psid

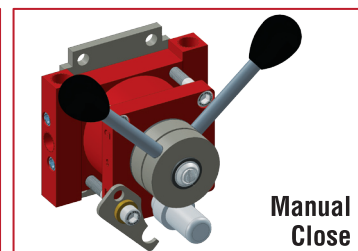
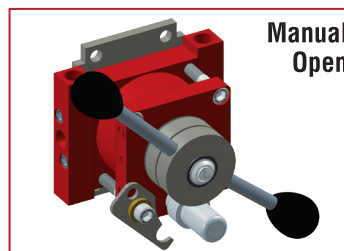
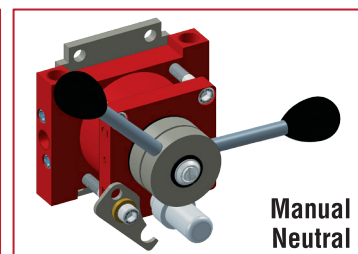
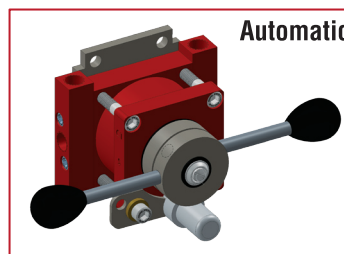
WHERE:  $P_{DIFFERENTIAL} = P_{SUPPLY} - P_{DISCHARGE}$

### Specifications

Type	Rotary, lapped disc, 5-position/6-way manually operated valve with manifolded porting assembly
Ports	1/4 in. FNPT (6) Manifolded to Body
Flow Capacity	Cv= 0.40
Weight	8.0 Lbs. (3.6 kg)
Mounting	Face Mount With detachable Mounting Backplate
Dimensions	See Figure 1 and 2 Above
Action	Double Acting or Single Acting in same device
Options	Limit Switches to indicate operation

### Materials

Coating	Red Powder Epoxy Topcoat & Zinc Primer over SP-10 Sandblast
Body	Carbon Steel
Bolting	316 Stainless Steel SHCS
Body O-Rings	Buna-N
Handle (Knob)	Impact Resistant Black Phenolic
Handle (Shaft)	304 Stainless Steel
Internal Discs	Precision Lapped Carbon Steel
Manifolds	304 Stainless Steel
Mounting Plate	304 Stainless Steel



VRG Controls, LLC  
Highland Park, IL 60035 USA  
email: sales@vrgcontrols.com  
www.vrgcontrols.com



**Stay in Touch!**  
SCAN THE QR CODE FOR  
COMPANY INFORMATION  
AND PRODUCT UPDATES