



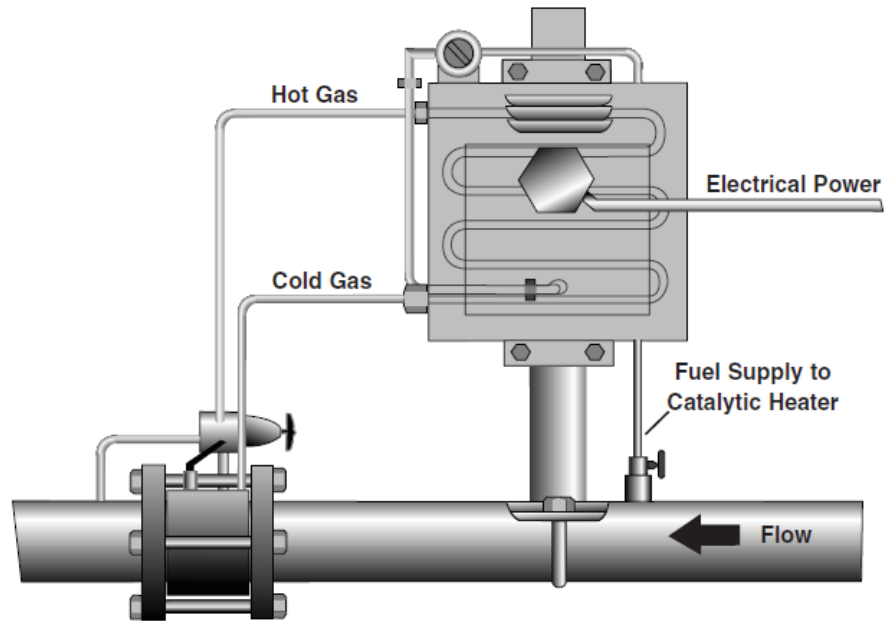
MODEL 2600

PREHEATING FOR PILOT ACTUATED REGULATORS AND INSTRUMENT SUPPLY GAS

The CATCO Model 2600 instrument gas heater is an ideal solution for problems arising from freezing in pilot actuated regulators, instrument supply gas and related applications.

HOW THE MODEL 2600 WORKS

The Model 2600 heats a stream of supply gas by using heat exchange tubing and a CATCO heater. Gas runs through the heat exchange tubing in front of the heater. The end result is as simple as cold gas in, hot gas out



WORKING SCHEMATIC OF THE INSTRUMENT GAS HEATER

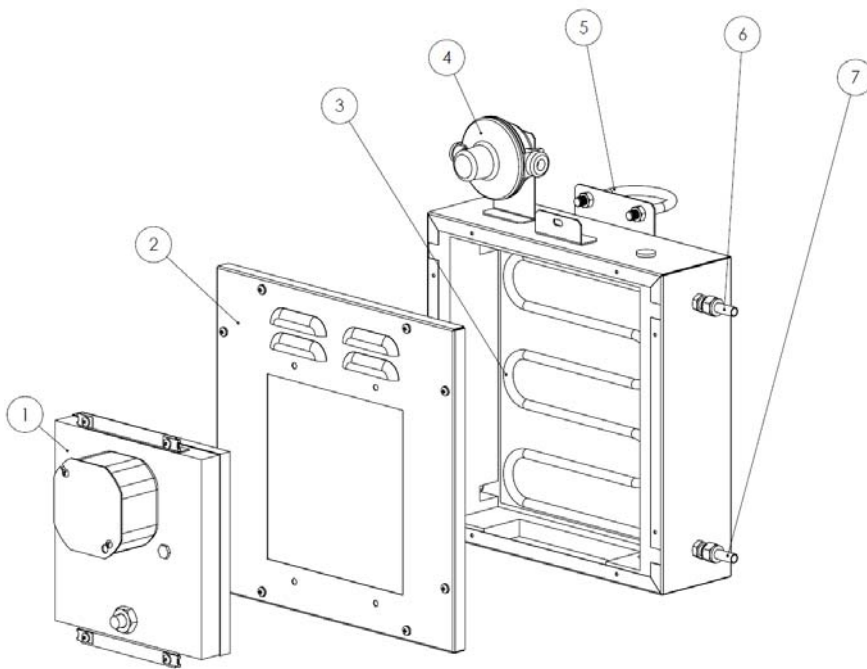


ADVANTAGES OF THE CATCO 2600

- Instrument gas heaters contain no moving parts
- Simple installation even in existing facilities – connections consist of two 3/8" Tube connections. The model 2600 comes with brackets and pipe clamps for mounting on a 2" pipe riser or is easily mounted on a wall.
- The Model 2600 incorporates either a CATCO 8x8 or a 10x12 catalytic heater. Units can be ordered with FM or CSA approved heaters for hazardous locations.

SAFETY

- Using the principle of catalytic combustion, catalytic heaters operate at a surface temperature much lower than an open flame and well below the ignition temperature of natural gas. They are a safe and proven method of heating in potentially hazardous environments.



- ① 8x8 or 10x12 Catalytic Heater
- ② Insulated lid with louvers to provide outstanding weather protection
- ③ Heat exchange tubing on heat absorption plate
- ④ Low pressure fuel gas regulator piped to provide fuel gas to heater
- ⑤ 2" U-bolts provide easy mounting on pipe riser
- ⑥ 3/8" tube connection for line out connection
- ⑦ 3/8" tube connection for line in connection

Connect the line to be heated to the 3/8" tube connections on the Model 2600. The pressure rating of the heat exchange tubing and the fuel gas preheat tube is 3000 psi.

The catalytic heater is available with either a 12 volt or 120 volt starting element and an orifice for either natural gas or LPG fuel.

SIMPLICITY

- Catalytic heaters contain no moving parts and once energized, will function indefinitely as long as adequate supplies of clean fuel are provided. These factors make catalytic heaters ideal for remote applications.

OPTIONAL EQUIPMENT AVAILABLE

- High pressure fuel gas regulator (5500 psi, SS or Brass)
- Dual heat exchange tubing – allows for heating of two lines with single 2600 unit
- Thermostat – reduces heater output to 50% when set temperature is reached on gas outlet
- Preheat tube for fuel gas – prevents potential freezing in fuel gas regulators
- Fuel Gas Filter/ Separator – providing catalytic heaters with clean gas will increase their lifespan and efficiency

STANDARD EQUIPMENT INCLUDED

- Stainless steel case w/ insulation
- Catalytic heater
- Heat exchange tubing
- Low pressure regulator prepiped to catalytic heater (max inlet 250 psi)