

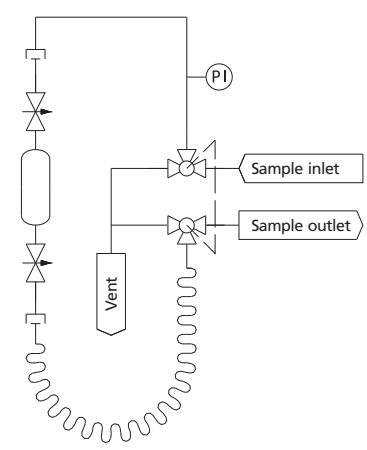
CG - Cylinder Configuration Sampling Systems for Gases

CGG1 - System Purge Type

Features

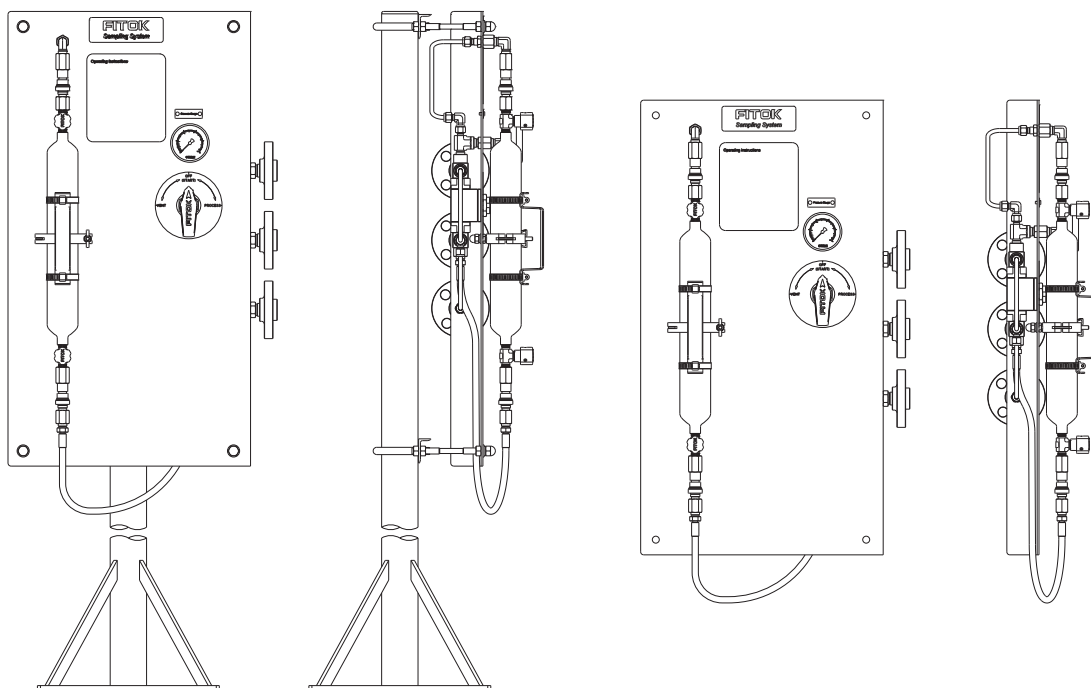
- Sampling from devices or process lines
- System purge
- Easy operation with a single handle by linkage valve

Basic Configuration

Wetted Material	316 SS	
Cylinder Assembly	500 ml cylinder	
	ND Series needle valves QC4 Series quick-connects	
Sampling Valve	BF Series ball valves (gearbox linkage): PTFE seat and FKM O-ring Max. working pressure: 1500 psig @ 70°F (103 bar @ 20°C) Temperature range: 0°F to 450°F (-18°C to 232°C)	
Other Accessories	PS Series metal hoses	
	Pressure gauge	
Connections	NPS 1/2 flange	

Note: Products of other specifications are available upon request.

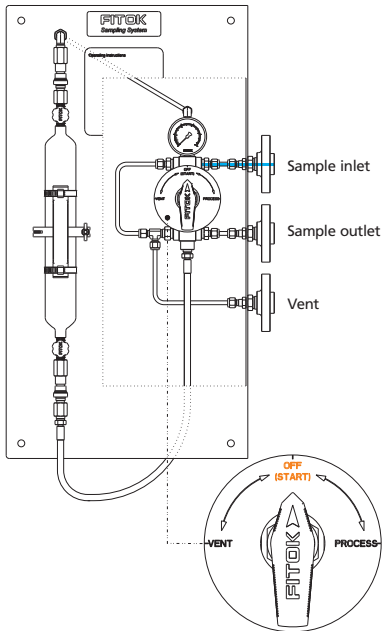
Typical Installation Mode



Operation

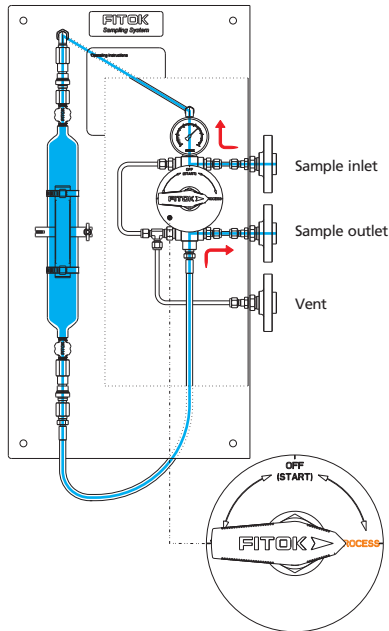
1 - Preparation

Install the sample cylinder and connect the hose to the bottom side of the cylinder. Open the needle valves at both ends of the cylinder.



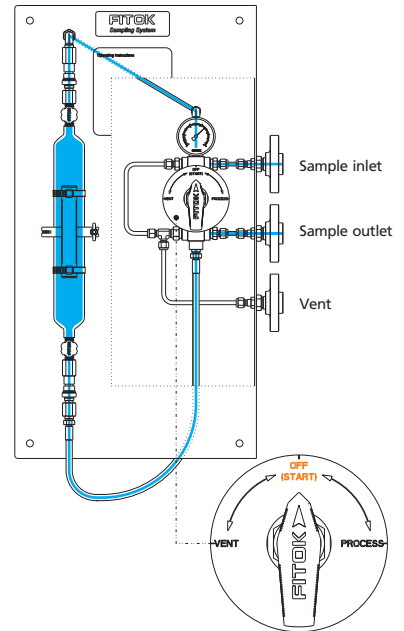
2 - Sampling

Turn the handle to the "PROCESS" position, allowing the sample to flow continuously into and fill the cylinder. Hold for a period of time to ensure representative sampling.



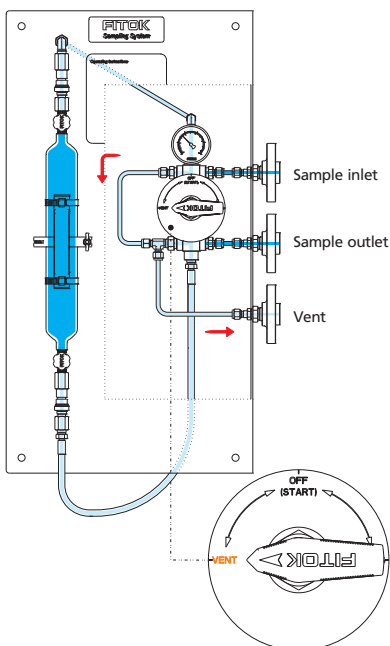
3 - Off

Turn the handle to the "OFF" position. Close the needle valves at both ends of the cylinder.



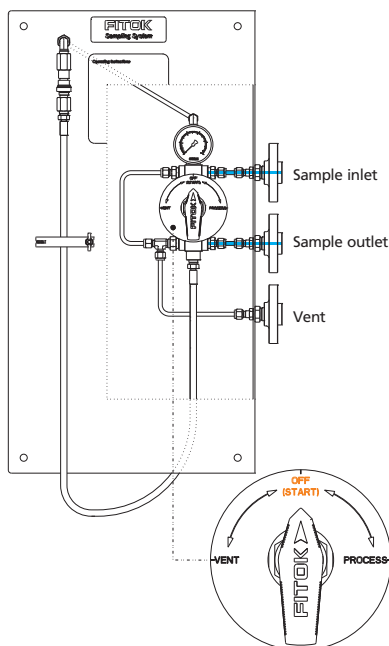
4 - Depressurization/vent

Turn the handle to the "VENT" position, connecting the sampling line with the vent line to depressurize and discharge the residual sample.



5 - Off

Turn the handle to the "OFF" position and disconnect the hose. Remove the cylinder and connect the hose to the top quick-connect to complete the sampling process.



CGG2 - Bypass and System Purge Type

Features

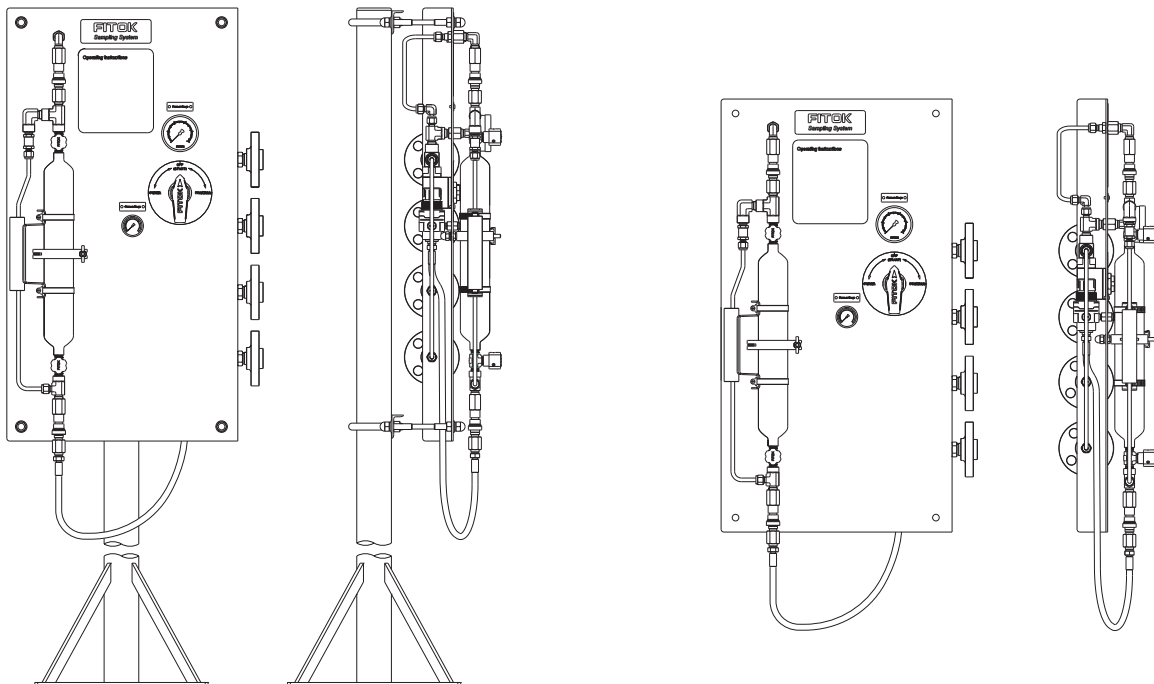
- Sampling from devices or process lines
- System purge
- Easy operation with a single handle by linkage valve

Basic Configuration

Wetted Material	316 SS	
Cylinder Assembly	500 ml cylinder	
	ND Series needle valves	
	QC4 Series quick-connects	
	CV Series check valves	
Sampling Valve	BF Series ball valves (gearbox linkage): PTFE seat and FKM O-ring Max. working pressure: 1500 psig @ 70°F (103 bar @ 20°C) Temperature range: 0°F to 450°F (-18°C to 232°C)	
Nitrogen Branch	Nitrogen regulator	
	CV Series check valves	
Other Accessories	Pressure gauge	
	PS Series metal hoses	
Connections	NPS 1/2 flange	

Note: Products of other specifications are available upon request.

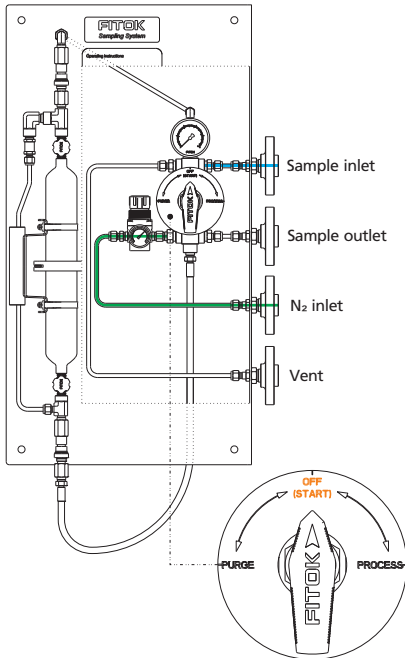
Typical Installation Mode



Operation

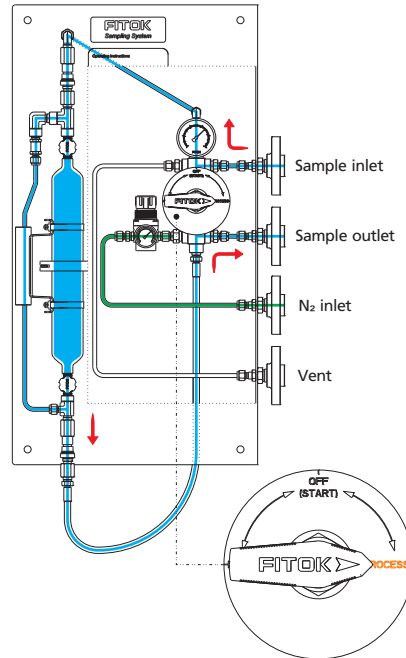
1 - Preparation

Install the sample cylinder and connect the hose to the bottom side of the cylinder. Open the needle valves at both ends of the cylinder.



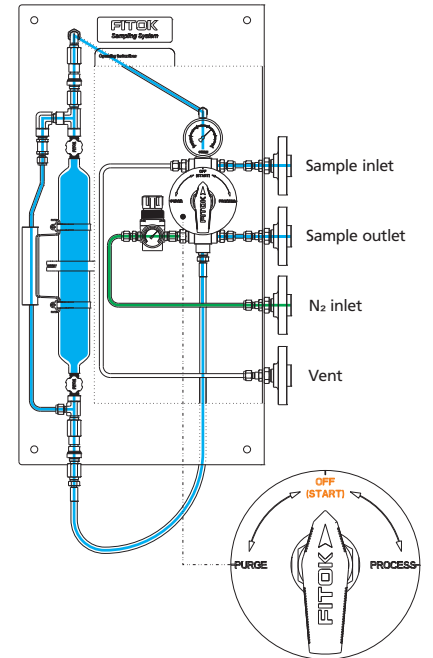
2 - Sampling

Turn the handle to the "PROCESS" position, allowing the sample to flow continuously into and fill the cylinder. Hold for a period of time to ensure representative sampling.



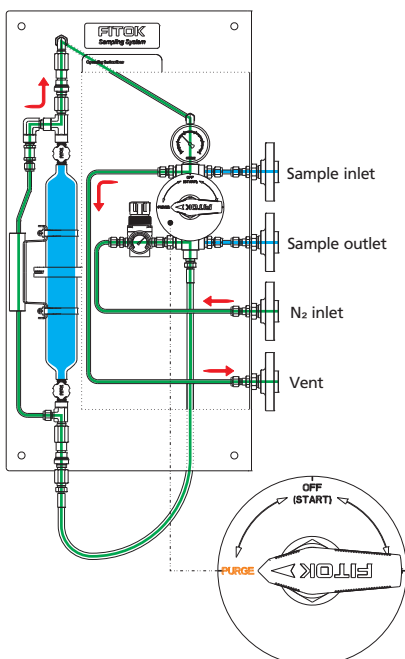
3 - Off

Turn the handle to the "OFF" position. Close the needle valves at both sides of the cylinder.



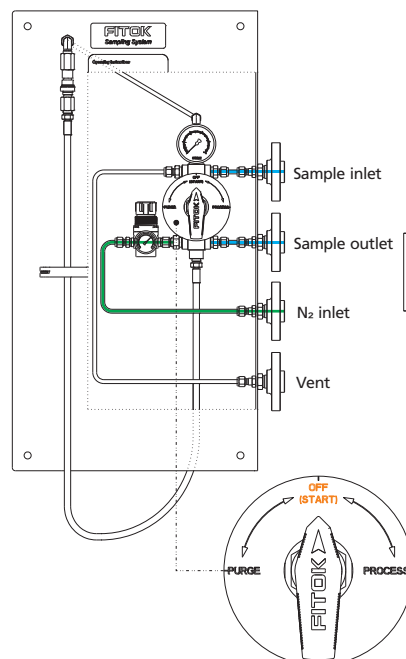
4 - Purge

Turn the handle to the "PURGE" position, allowing Nitrogen to flow through the quick-connects and bypass to force the residual sample out of the system.



5 - Off

Turn the handle to the "OFF" position and disconnect the hose. Remove the cylinder and connect the hose to the top quick-connect to complete the sampling process.



CGG3 - Vent to Flare Type

Features

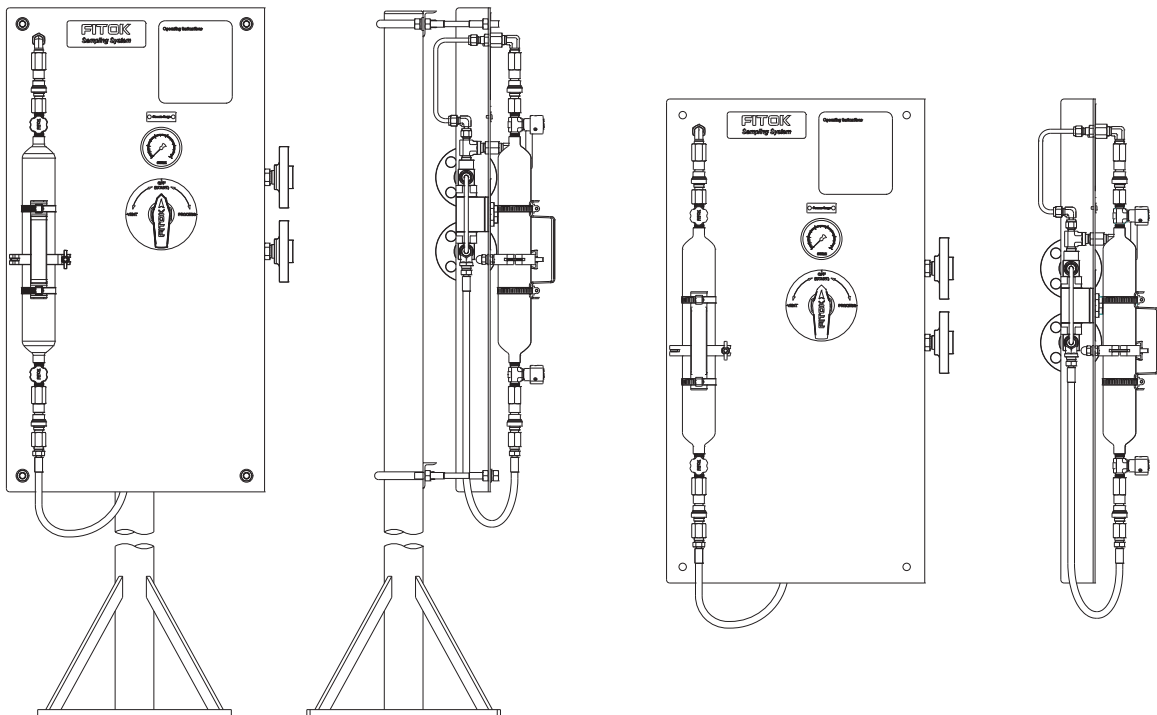
- Sampling from devices or process lines
- System purge to flare (no circulation loop)
- Easy operation with a single handle by linkage valve

Basic Configuration

Wetted Material	316 SS	
Cylinder Assembly	500 ml cylinder	
	ND Series needle valves QC4 Series quick-connects	
Sampling Valve	BF Series ball valves (gearbox linkage): PTFE seat and FKM O-ring Max. working pressure: 1500 psig @ 70°F (103 bar @ 20°C) Temperature range: 0°F to 450°F (-18°C to 232°C)	
Other Accessories	PS Series metal hoses Pressure gauge	
Connections	NPS 1/2 flange	

Note: Products of other specifications are available upon request.

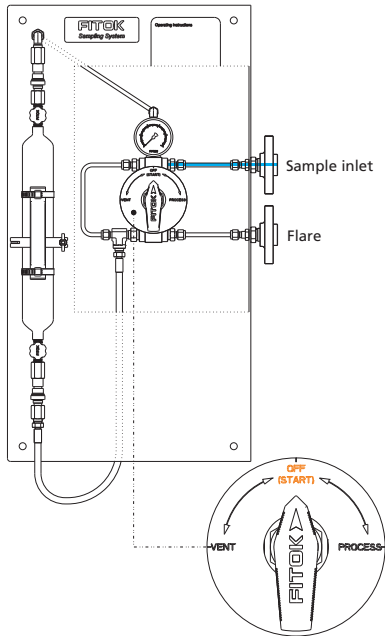
Typical Installation Mode



Operation

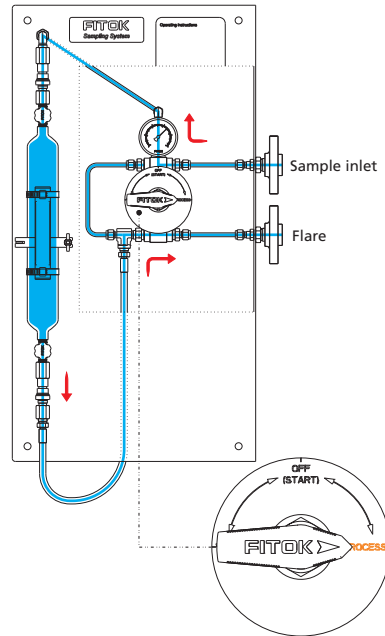
1 - Preparation

Install the sample cylinder and connect the hose to the bottom side of the cylinder. Open the needle valves at both ends of the cylinder.



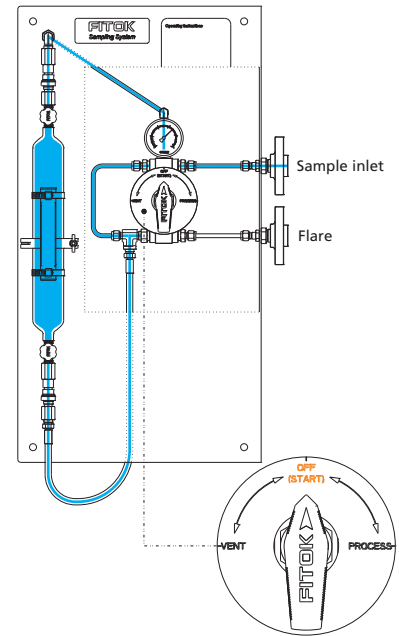
2 - Sampling

Turn the handle to the "PROCESS" position, allowing the sample to flow continuously into and fill the cylinder. Hold for a period of time to ensure representative sampling.



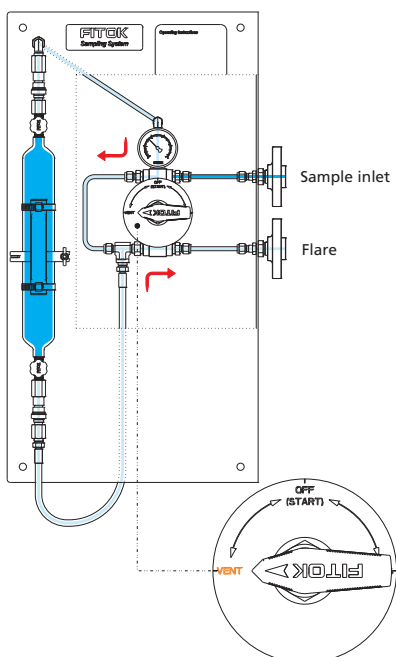
3 - Off

Turn the handle to the "OFF" position. Close the needle valves at both sides of the cylinder.



4 - Depressurization/vent

Turn the handle to the "VENT" position, connecting the sampling line to the flare to depressurize and discharge the residual sample out of the system.



5 - Off

Turn the handle to the "OFF" position and disconnect the hose. Remove the cylinder and connect the hose to the top quick-connect to complete the sampling process.

