



Rupture Pin<sup>®</sup> A BRAND of ———  
Taylor Valve Technology<sup>®</sup>

GET THE **POWER** OF THE PIN

MODEL JA  
Inline Modified Check Valve  
Type ESV



[WWW.TAYLORVALVE.COM](http://WWW.TAYLORVALVE.COM)

SINCE 1958

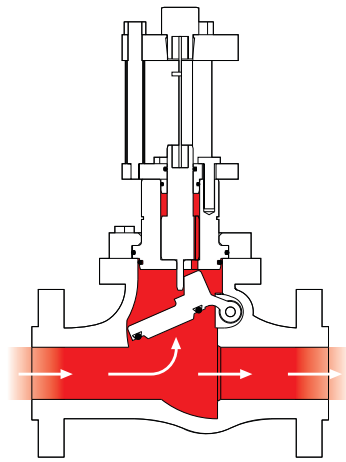
# MODEL JA ESV

GET THE **POWER** OF THE PIN.  
WWW.TAYLORVALVE.COM

- 2" - 12" (25 - 2000 PSI)
- 150#, 300# & 600# Flanges  
Check with factory for other flange classes

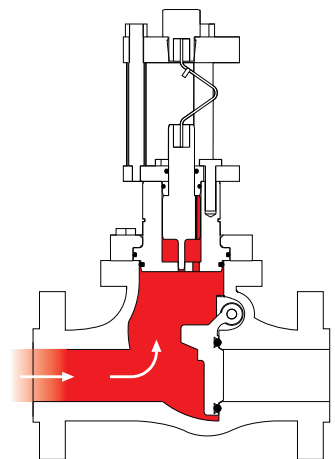
## ADVANTAGES

- Reliable settings.
- Simple operation.
- Our valve technology utilizes a proven design principle - (Euler's Law).
- Reaches closed position in milliseconds to provide a bubble-tight seal.
- +/-5% accuracy of set pressure.
- Stainless-steel seat and piston - standard.
- Custom set pressures available.
- Fatigue and pulsation do not affect the set pressure of the valve.
- Pins can be changed by one person in minutes. Spare pins can be stored in a container connected to the valve. (Optional)
- A proximity sensor can be installed to monitor the valve. When the valve opens, a reliable signal alerts personnel. (Optional)
- Visual indication of closing.
- Bleed only what is in the isolated valve.
- Unaffected by pulsating pressures.
- Unaffected by changing ambient temperatures of the pin.
- Opens in milliseconds.
- Operates to within 95% of set point.
- Pin cannot fatigue and buckle early.
- Precise pin, obeying Euler's Law, acts as a pressure sensor & actuator.



### OPEN (STRAIGHT)

The pin holds the piston in place until the set pressure is reached.



### CLOSED (BUCKLED)

When set pressure is reached, pin buckles to close valve.

## MODEL "JA" CHARACTERISTICS

Pressure Set Point Range:  
25 PSI - 2000 PSI

Valve Seals: Available for high & low temperatures, Viton standard

Standard Materials:

Body mild steel, stainless-steel trim is standard, other materials optional

Accuracy: + / -5%

Proximity Sensor: For remote closed indication is optional

Pin Holder:

Pin storage at the valve is optional

## HOW IT WORKS

Flowing pressure acting on the unbalanced stem area puts an axial force on the pin. At set point, the pin buckles and the valve closes for a bubble-tight seal. If pressure upset is at "A" and you want to protect "B", put an emergency shutdown valve in between the two. The Model "JA" isolates pressure to prevent downstream damage and proves it is environmentally friendly by eliminating air and ground pollution common with conventional relief valves.



## COLOR CODED PINS

Pins on this model are color coded to match the color on the top pin holding nut.

COLOR	SET PSI*	COLOR	SET PSI
Gold	40	Pink	220
Light Blue	50	Brown	225
Red	100	Green	250
Blue	125	Orange	275
Gray	150	Black	400
White	175	Yellow	500

\*For other set pressures, contact Taylor Valve.

WWW.TAYLORVALVE.COM