

GENIE[®] 701

Portable Insertion Probe[™]



U.S. Patents 7,472,615; 7,617,745; 7,888,624

Genie[®] 701[™]

Installation & Operation Instructions

Manufacturing Contact Information

A+ Corporation, LLC *Call for expert product application assistance:*
41041 Black Bayou Rd. Phone: (225)-644-5255 Website: www.geniefilters.com
Gonzales, LA 70737 Fax: (225)-644-3975 E-mail: sales@geniefilters.com

Safety Warnings

- ⚠ Failure to abide by any of the safety warnings below will result in release of fluid at full pipeline pressure and could result in serious injury or death.
 - ▶ Do not exceed any equipment pressure ratings.
 - ▶ Not designed for external fire.
 - ▶ Prior to use in a system, a properly sized relief device is to be installed which limits the use to 110% of the MAWP.
 - ▶ This product may vent while being installed, operated, or maintained. The user should follow company safety practices concerning Personal Protective Equipment (PPE) as well as any and all OSHA, state and local regulations.



©2010 A+ Corporation, LLC. All rights reserved.

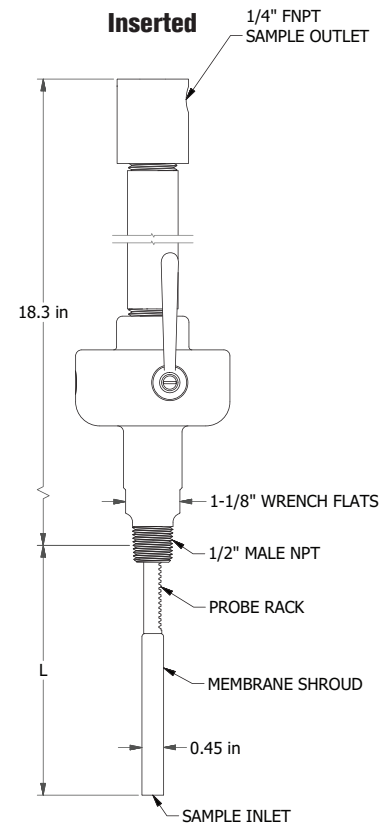
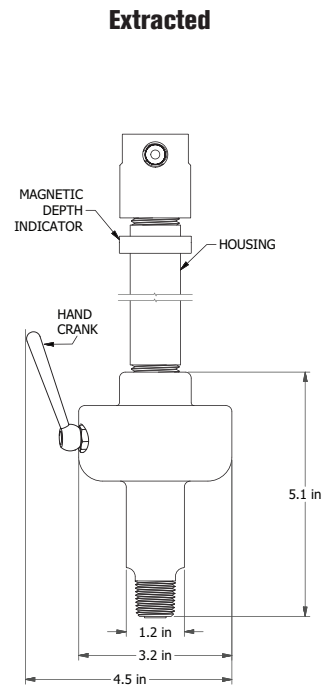
SCC-701-InsInstallationOperation_102822

Technical Specifications

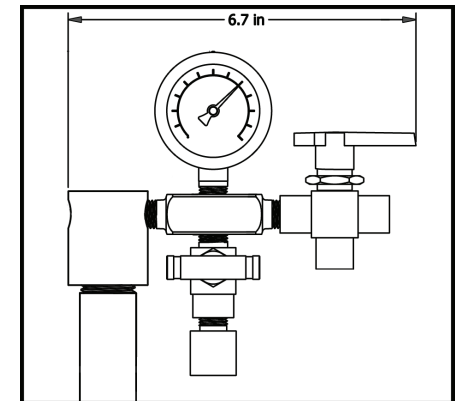
Technical Specifications

Maximum Pressure Rating	3,000 psig (206.8 barg)
Temperature Ranges	Type 6 membranes: -35°F (-37°C) to 185°F (85°C) Actual limit depends on sealing material chosen. Refer to Temperature Range Comparison Chart.
Port Size	Outlet: 1/4" female NPT
Insertion Depth	L: Adjustable up to 11" (25.4mm)
Process Connection Requirement	1/2" NPT full opening threaded valve Ball, gate and double block and bleed valves are all suitable for use as long as their inner diameter is not less than 1/2".
Wetted Materials	Machined parts: 316/316L stainless steel / ISO 15156-3 compliant All other metal parts: stainless steel / ISO 15156-3 compliant Sealing material: User defined Membrane: Inert

Dimensions



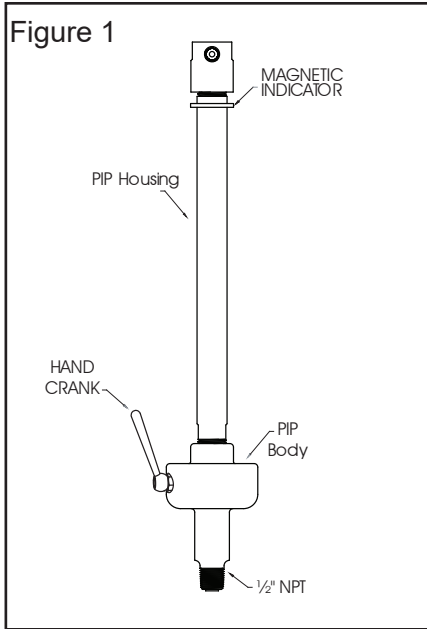
701 Spot Sampling Manifold Option



Installation & Sampling Instructions

- ▶ **Fully retract probe into housing.** Fully retract probe and tighten membrane stem screw.
- ▶ **Tighten & seal probe.** Apply thread sealant to 1/2" NPT threads. (Figure 2) With the ball valve closed, hand tighten the probe into the 1/2" full open ball valve. Using the large lower wrench flats on the body of the probe, securely tighten and seal the 1/2" NPT threads. The probe may be damaged if over tightening occurs. (Figure 3)
- ▶ **Connect tubing.** Using the 1/4" NPT female ports on the top of the housing, connect the appropriate tube fitting, tubing and block valve.
- ▶ **Confirm probe seal.** Confirm all threads are securely tightened and the downstream block valve is closed. Slowly open the 1/2" ball valve to pressurize the probe. Confirm there are no leaks from the assembly. If leaks are present, close the ball valve and depressurize the probe by opening the downstream block valve. Reseal the areas of concern. Slowly reopen the ball valve after confirming all threads are securely tightened and the downstream block valve is closed.
- ▶ **Insert probe.** If there are no leaks present, insert the probe into the pipeline by turning the hand crank counterclockwise. Insertion depth of probe can be monitored by watching the magnetic indicator traveling up/down the probe housing. (Figure 4)
- ▶ **Prepare probe for sampling.** After desired depth is reached, open the downstream block valve to allow sample to flow.

Figure 1



Retraction Instructions

- ▶ **Prepare probe for retraction.** After sampling is complete, close the downstream block valve. Retract the probe from the pipeline by turning the hand crank clockwise.
- ▶ **Retract probe.** Once probe is fully retracted, close the upstream ball valve. Then, vent the gas that is trapped in the probe by slowly opening the downstream block valve.
- ▶ **Unthread probe.** After the probe has been fully depressurized, use the large lower wrench flats to unthread the probe counterclockwise from the ball valve.

Figure 2

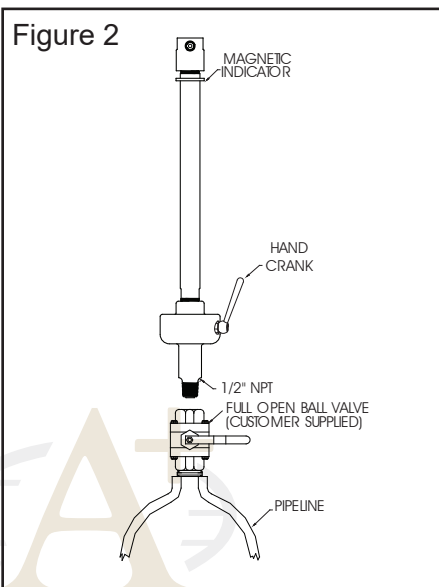


Figure 3

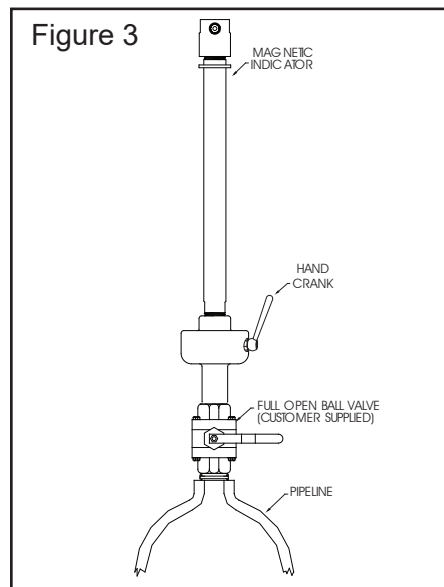
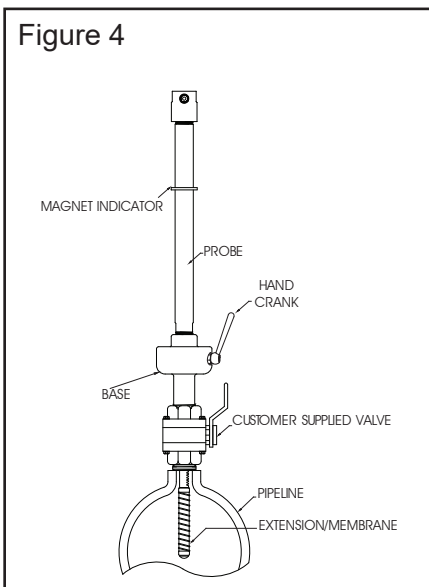


Figure 4



Model Numbering & Additional Part Numbers

Model Numbering & Additional Part Numbers

Your model number is determined by your specific needs. Choose options below.

Sealing material	7 = Neoprene rubber	J = RGD resistant HNBR	<i>(other materials available upon request)</i>
Membrane type	6 = Rejects ALL types of liquids from vapor <i>(other membrane types available upon request)</i>		
Flow restrictor	Part # ACC-SS-4-SA-EA (1/4" MNPT x 1/4" FNPT)		
Spot sampling manifold	Part # 701-ACC-8111		
Complete membrane assembly	Part # 701-CMA-576(square body) or Part # 701-2CMA-576 (current round body)		

How to build the model number:

