



# GENIE<sup>®</sup> 702

Permanent Insertion Probe<sup>™</sup>

## Large enough for a 10' install yet small enough to fit in an enclosure!

Liquid in a sample conditioning system can damage analyzers and lead to inaccurate sample analysis; directly affecting the bottom line. Applying our Analytically Correct<sup>™</sup> designs to your sampling system can prevent these occurrences.

Our Genie<sup>®</sup> Model 702 Permanent Insertion Probe is a simple, safe and economical solution to extract a representative vapor phase sample from a gas source. The 702 is designed for sampling at a specific depth in a pressurized pipeline; each length is customized up to 10 feet to fit your application. Our exclusive Pressure Balance<sup>™</sup> technique allows you to effortlessly insert the probe without the need for additional tools or pneumatic and hydraulic methods. Once inserted, the installation housing can be replaced with a shorter one to accommodate partial retraction of the probe during pigging operations or placement into heated enclosures.

We are the only manufacturer that provides Analytically Correct<sup>™</sup> membrane tipped sample probes for insertion inside a pipeline or vessel. Using a membrane tip conforms to API 14.1 and GPA 2166 standards. Our patented Genie<sup>®</sup> Membrane Probes<sup>™</sup> are the most efficient means for separating entrained liquid from the sample at source conditions.

Technical Specifications	
Maximum Pressure Rating	3,500 psig (241.3 barg)
Temperature Ranges	<b>Type 6 membranes:</b> -35°F (-37.2°C) to 185°F (85°C) <b>*Type 7 membrane:</b> -35°F (-37.2°C) to 300°F (149°C) <small>* Actual limit depends on sealing material chosen. Refer to Temperature Range Comparison Chart.</small>
Maximum Recommended Flow Rate <small>Results in approx. 2 PSI pressure differential. For higher flow rates, contact the factory.</small>	<b>Type 6 Best Rejection:</b> 2.0 LPM (4.2 CFH) <i>(actual conditions)</i> <b>Type 7 Highest Temps:</b> 2.5 LPM (5.3 CFH) <i>(actual conditions)</i>
Port Sizes	<b>Outlet, vent, and gauge:</b> 1/8" female NPT
Process Connection Requirement	3/4" NPT full opening threaded or flanged valve Ball, gate and double block and bleed valves are all suitable for use as long as their inner diameter is not less than 3/4".
Valve Requirement <small>customer provided</small>	Straight-through path with minimum bore of 0.75" (1.91 cm)
Probe Lengths	L: 4 ft (1.2 m) to 10 ft (3.0 m) A: (L) + 13.4 in (340.4 mm)
Wetted Materials	<b>Machined parts:</b> 316/316L stainless steel / ISO 15156-3 compliant <b>All other metal parts:</b> stainless steel / ISO 15156-3 compliant <b>Sealing material:</b> User defined <b>Membrane:</b> Inert



### Product Brief

#### Applications

- Continuous sampling from underground natural gas transmission lines and certain hazardous gas sources
- Gas sampling of mixtures containing less than 30% hydrogen

#### Benefits

- Protects sample system from liquid and particulates
- Insertion and retraction without pneumatic or hydraulic methods
- Source conditions monitored while sampling
- API 14.1 and GPA 2166 standards compliance
- Installation and maintenance without depressurizing line
- Helps preserve sample integrity
- Increases safety of personnel

#### Features

- Genie<sup>®</sup> Membrane Technology<sup>™</sup>
- Pressure Balance<sup>™</sup> installation
- Partial retraction housing accommodates pigging operations or placement into enclosures
- Built-in ports and valves for purging vented gas
- Low profile above pipe

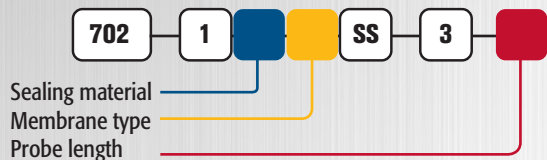


## Model Numbering & Additional Part Numbers

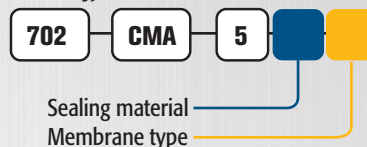
Your model number is determined by your specific needs. Choose options below.

<b>Sealing material</b>	7 = Neoprene rubber	J = RGD resistant HNBR	(other materials available upon request)
<b>Membrane type</b>	6 = Better Rejection; Rejects ALL types of liquids from vapor 7 = Highest Temps; Rejects ONLY high surface tension liquids		
<b>Probe length (L)</b>	Custom Lengths from 12 inches to 120 inches		
<b>Regulator coupling</b>	ACC-SS-702-1 (recommended when attaching external regulator)		

### How to build the model number:

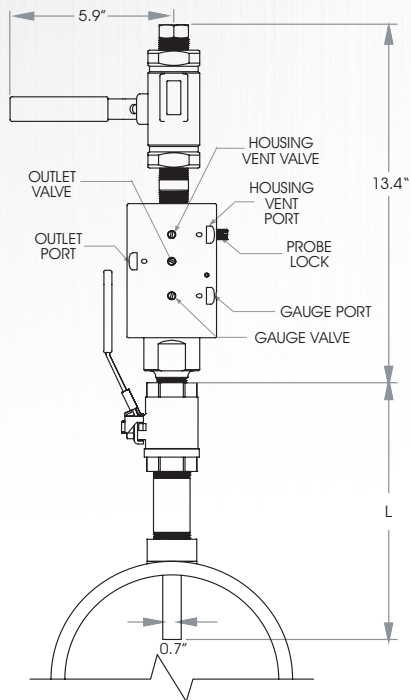


### How to build the replacement membrane number: (Contains 1 complete assembly)

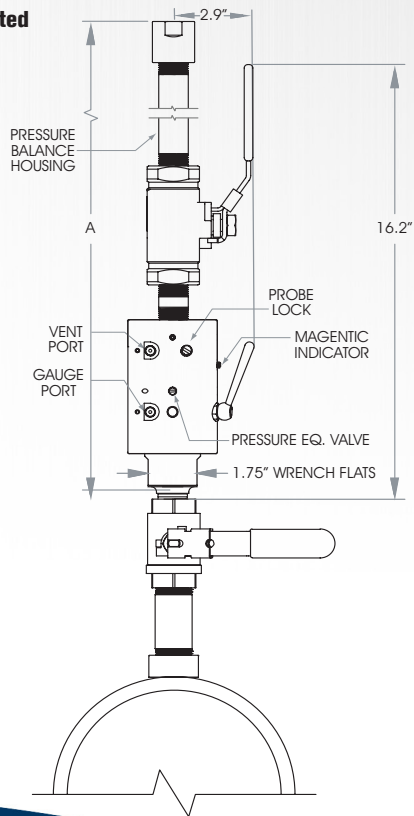


## Dimensions

Inserted



Extracted



Analytically Correct™ sample systems, sample conditioning components, and revolutionary gas and liquid sampling technology.

Contact us for expert product application assistance.

1.225.644.5255

sales@geniefilters.com

geniefilters.com

41041 Black Bayou Road, Gonzales, Louisiana 70737

