



Direct Drive™ Series INSTALLATION OVERVIEW

Please refer to the detailed instructions supplied with your A+ Systems shipment before performing installation or operation. Systems may vary. The Rich Gas Sampling System shown in this example, includes probes with an enclosure coupling.

NOTE: The order of 2a. and 2b. are interchangeable.

1. Mount the enclosure coupling to an existing process connection valve. (Figure A)

2a. Mount the hardware bracket with pre-assembled parts to the enclosure coupling. (Figure B)

2b. Thread the Genie® Direct Drive™ Probe or Genie® Probe Regulator™ into the coupling. (Figure C)

NOTE: Verify probe valve is closed (755 not applicable) and the regulator is backed out.

3. Measure insertion depth and lock marking nuts.

4. Fully open process connection valve and use provided Direct Drive™ probe instructions to insert probe.

5. Connect probe to regulator (if included). Connect to sample outlet and terminate electrical component wiring.

6. After connecting tubing, open valves and set regulator to desired outlet pressure.

7. Secure the enclosure around the probe and hardware bracket assembly. (Figure D)

8. The enclosure is now ready for operation. (Figure E)



Figure A

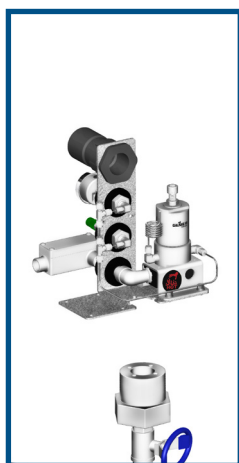


Figure B

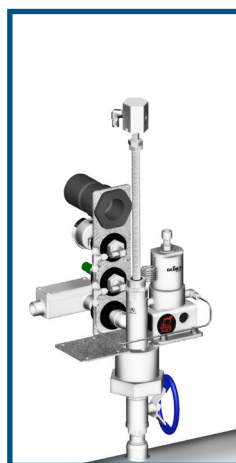


Figure C

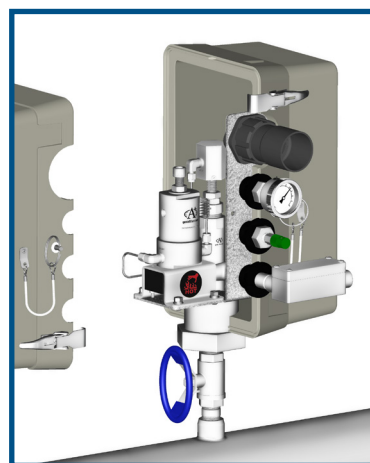


Figure D



Figure E

Should you need assistance in selecting the appropriate components for your application, please consult the factory.





Analytically Correct Engineered Systems

Installation Overview



Genie® Probe Series INSTALLATION OVERVIEW

Please refer to the detailed instructions supplied with your A+ Systems shipment before performing installation or operation. Systems may vary. The Rich Gas Sampling System shown in this example, includes probes with housing.

1. Install the probe housing, with mounting collar, into depressurized pipeline.

(Figure A)

2. Install membrane tipped probe into probe housing.

(Figure B)

3. Mount the hardware bracket with pre-assembled parts to the enclosure collar. (Figure C)

4. Connect probe to regulator (if included). Connect to sample outlet and terminate electrical component wiring.

5. After connecting tubing, pressurize line, open valves, and set regulator to desired outlet pressure.

6. Secure the enclosure around the probe and hardware bracket assembly.

(Figure D)

7. The enclosure is now ready for the power and sample tubing to be connected. (Figure E)

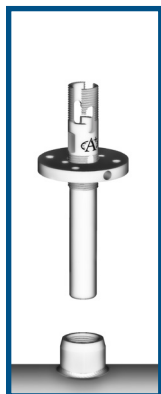


Figure A



Figure B

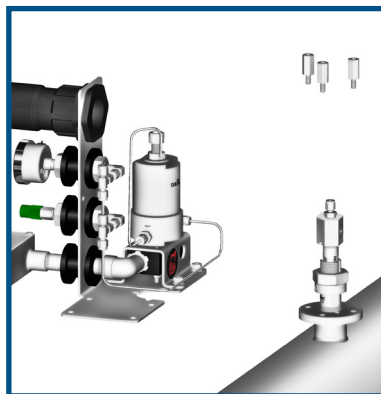


Figure C

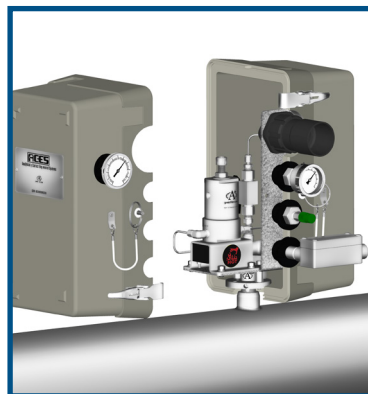


Figure D



Figure E

Should you need assistance in selecting the appropriate components for your application, please consult the factory.



Analytically Correct™ sample systems, sample conditioning components, and revolutionary gas and liquid sampling technology.

Contact us for expert product application assistance.

1.225.644.5255

sales@geniefilters.com

geniefilters.com

41041 Black Bayou Road, Gonzales, Louisiana 70737

