

750 Probe and JTR-H Regulator \$10,700 to \$12,800

133 Membrane Separator 760*/GPHV Probe and GHR*/JTR-H Regulator \$9,400 to \$14,300 WET GAS SAMPLING



The Sampling Experts™ | geniefilters.com

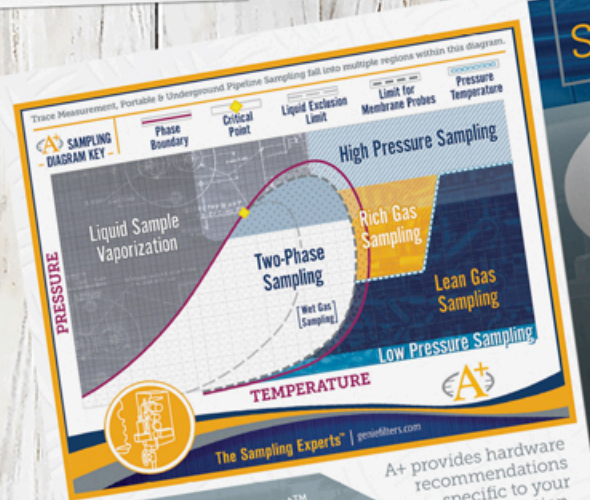
SPECIALTY SYSTEMS

*Selected component shown in system illustration.

UNDERGROUND PIPELINE SAMPLING

702 Probe GHR*/JTR-H

Sampling applications can vary wildly due to gas quality, geographic location and other factors, so why are so many sampling systems one-size-fits-all solutions? A+ considers all application factors when designing your sampling system to keep your system as simple as possible while still delivering an Analytically Correct™ sample to your analyzer.



Each Analytically Correct™ Engineered System is designed to meet specific application needs; ensuring sample integrity is maintained throughout the sample extraction and preconditioning process. If you know the composition of the fluid and the analyzer you are going to use, simply fill out the ACES™ Application Worksheet >>

A+ Engineers will go to work to design a complete, custom-tailored, Analytically Correct™ system for you covering the entire process from quote to delivery. The industry trusts our Genie® line of sampling components; now trust our expertise to provide you with a total ACES™ sample system solution. **Delivering everything you need, nothing you don't.**

SPECIALTY SYSTEMS

*Selected component shown in system illustration.

UNDERGROUND PIPELINE SAMPLING

702 Probe GHR*/JTR-H

TWO-PHASE SAMPLING

761 Probe GHR*/JTR-H

LIQUID SAMPLE VAPORIZATION

A+ Vaporizer 761 Probe*/No Probe GHR*/JTR-H

PORTABLE SAMPLING

701 Probe GHR*/JTR-H Accessory Manifold

A+ pioneered the use of membranes to separate gases and liquid streams with our Genie® Separators™. Additionally, the company uses the use of membranes on sample probes, to separate liquids at pipeline conditions to ensure a representative sample as well as preventing liquids from contaminating the sample system. With over 30 years of experience, A+ continues to create innovative technologies which will continue to redefine the way fluids are sampled.

100% Application Based ensuring sample integrity is maintained throughout the sample extraction and preconditioning process.

Patented Vertical Style Enclosure Design can be mounted in tight spaces. Additionally, A+ offers a SLIM design option with an 8.6" footprint, for even tighter spaces.

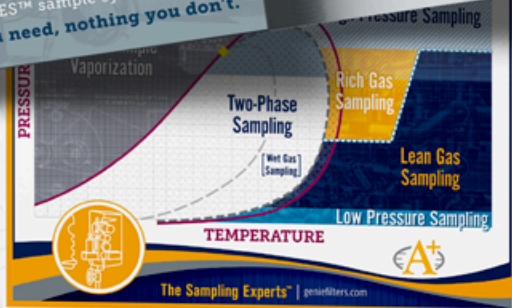
Hands-Free Monitoring. Easily monitor sample conditions like pressure and temperature at a glance without removing either enclosure side.

360° Access to internal components with our two removable vertical enclosure sides independent of the system. Easily maintain and retract probe without disturbing internal conditioning components.

Easy to Assemble, Disassemble and Maintain. All non-probe components are mounted to a bracket that is independent of the enclosure. The bracket and components are left in place, while the probe can be retracted or removed in order to be serviced.



Analytically Correct Engineered Systems



Each Analytically Correct™ Engineered System is designed to meet specific application needs; ensuring sample integrity is maintained throughout the sample extraction and preconditioning process. If you know the composition of the fluid and the analyzer you are going to use, simply fill out the ACES™ Application Worksheet >>

A+ Engineers will go to work to design a complete, custom-tailored, Analytically Correct™ system for you covering the entire process from quote to delivery. The industry trusts our Genie® line of sampling components; now trust our expertise to provide you with a total ACES™ sample system solution. **Delivering everything you need, nothing you don't.**

INSTALLING SYSTEMS

* Selected component shown in system illustration.

CUSTOMIZATIONS

- » Probe Versatility
- » CSA/ATEX Compliant
- » 24 VDC Option
- » SilcoTek® Coating Options
- » Integration of Outsourced Components
- » Single or Four Stage Regulator Option
- » Temperature Controller Option

WET GAS SAMPLING
133 Membrane Separator 760*/GPHV Probe GHR*/JTR-H

TRACE MEASUREMENT SAMPLING
750LV Probe GHR*/JTR-H DURSAN® COATED SAMPLE PATH

LEAN GAS SAMPLING

755*/GPR Probe Heater Block

RICH GAS SAMPLING

GP2*/702/750 GHR

HIGH PRESSURE SAMPLING

750*/GP2/702/ Custom JTR-H GPHV

Heat Trace & Slim Case OPTIONS



ACESTM

ANALYTICALLY CORRECTTM ENGINEERED SYSTEMS

100% Application Based ensuring sample integrity is maintained throughout the sample extraction and preconditioning process.

Patented Vertical Style Enclosure Design can be mounted in tight spaces. Additionally, A+ offers a SLIM design option with an 8.6" footprint, for even tighter spaces.

Hands-Free Monitoring.

Easily monitor sample conditions like pressure and temperature at a glance without removing either enclosure side.

scan to watch
ACES video



360° Access to internal components with our two removable vertical enclosure sides independent of the system. Easily maintain and retract probe without disturbing internal conditioning components.

Easy to Assemble, Disassemble and Maintain.

All non-probe components are mounted to a bracket that is independent of the enclosure. The bracket and components are left in place, while the probe can be retracted or removed in order to be serviced.

Trace Measurement, Portable & Underground Pipeline Sampling fall into multiple regions within this diagram.

A+ SAMPLING
- DIAGRAM KEY -

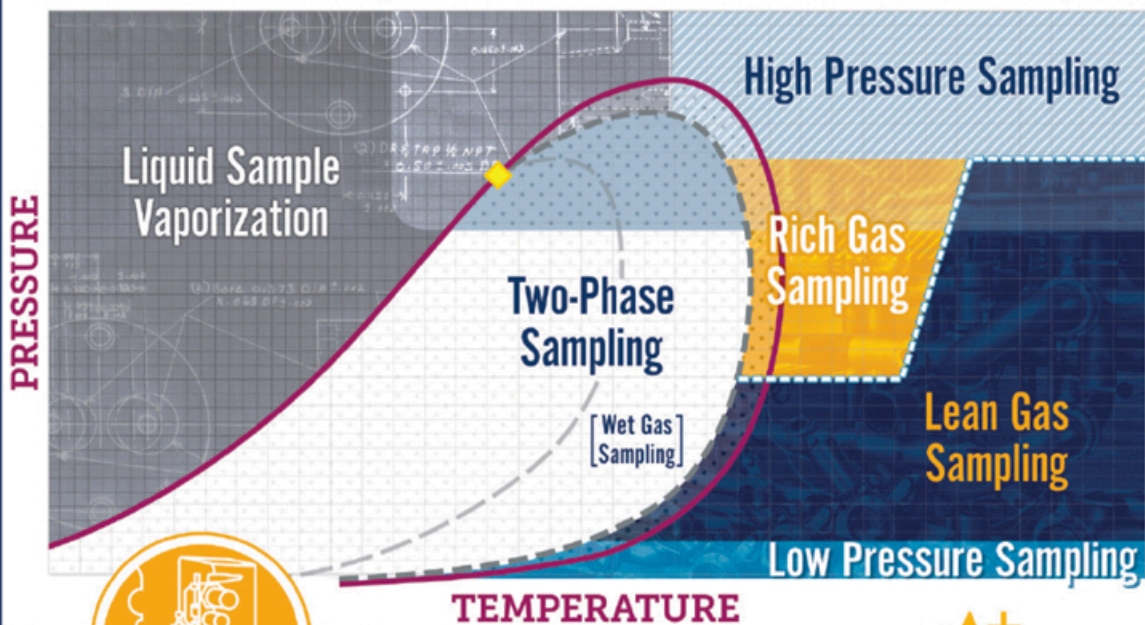
Phase Boundary

Critical Point

Liquid Exclusion Limit

Limit for Membrane Probes

Pressure Temperature



The Sampling Experts™ | geniefilters.com

Each Analytically Correct™ Engineered System is designed to meet specific application needs; ensuring sample integrity is maintained throughout the sample extraction and preconditioning process.

If you know the composition of the fluid and the analyzer you are going to use, simply fill out the **ACES™ Application Worksheet** >>

A+ Engineers will go to work to design a complete, custom-tailored, Analytically Correct™ system for you covering the entire process from quote to delivery. The industry trusts our Genie® line of sampling components; now trust our expertise to provide you with a total ACES™ sample system solution.

Delivering everything you need, nothing you don't.

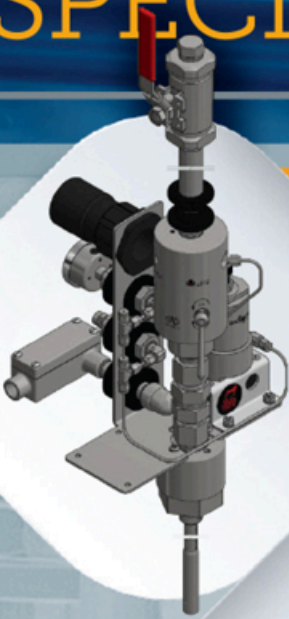
A+ provides hardware recommendations specific to your application.

scan for ACES worksheet



SPECIALTY SYSTEMS

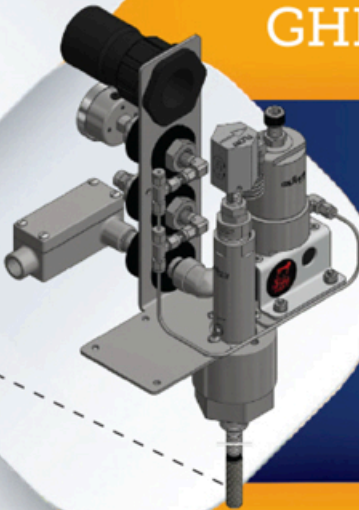
*Selected component shown in system illustration.



UNDERGROUND PIPELINE SAMPLING

702 Probe
GHR*/JTR-H

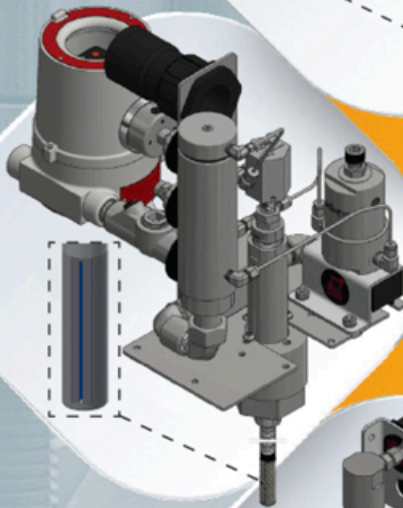
540 SERIES



TWO-PHASE SAMPLING

761 Probe
GHR*/JTR-H

560 SERIES



LIQUID SAMPLE VAPORIZATION

A+ Vaporizer
761 Probe*/No Probe
GHR*/JTR-H

590 SERIES



PORTABLE SAMPLING

701 Probe
GHR*/JTR-H
Accessory Manifold

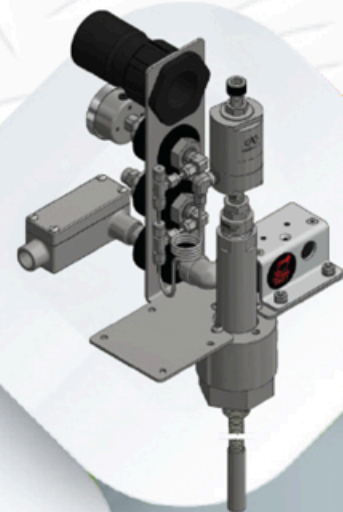
MODEL
701

BEST SELLING SYSTEMS

* Selected component shown in system illustration.

CUSTOMIZATIONS

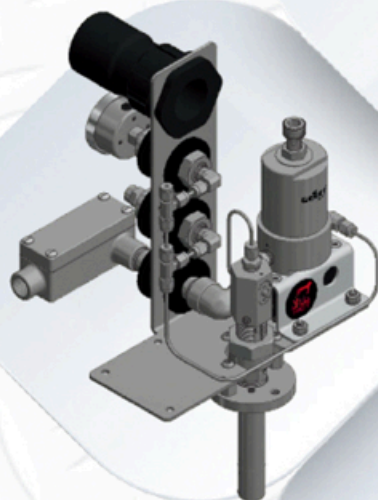
- >> Probe Versatility
- >> CSA/ATEX Compliant
- >> 24 VDC Option
- >> SilcoTek® Coating Options
- >> Integration of Outsourced Components
- >> Single or Four Stage Regulator Option
- >> Temperature Controller Option



LEAN GAS SAMPLING

755*/GPR Probe
Heater Block

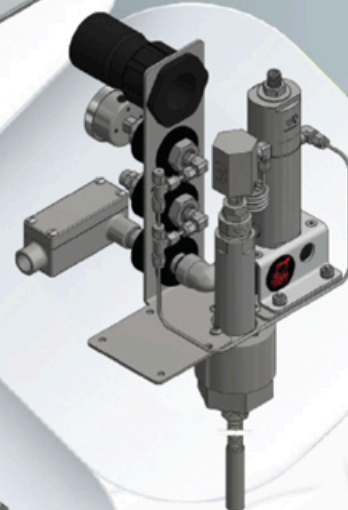
MODELS
520 | 530



RICH GAS SAMPLING

GP2*/702/750
GHR

MODELS
521 | 531 | 541



HIGH PRESSURE SAMPLING

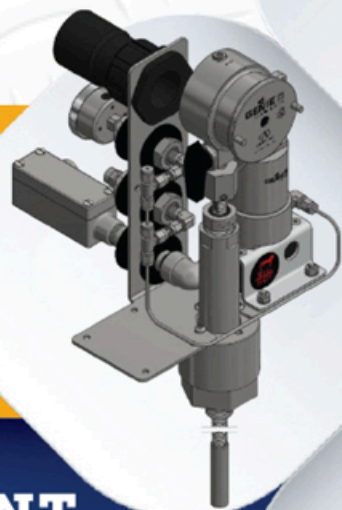
750*/GP2/702/^{Custom}
JTR-H
GPHV

MODELS
522 | 532 | 538 | 542

WET GAS SAMPLING

133 Membrane Separator
760*/GPHV Probe
GHR*/JTR-H

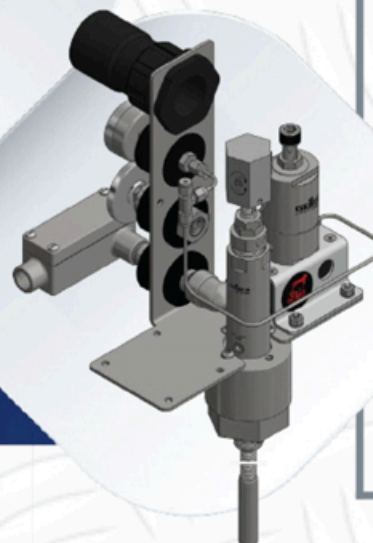
580 SERIES-



TRACE MEASUREMENT SAMPLING

750LV Probe
GHR*/JTR-H
DURSAN® COATED SAMPLE PATH

550 SERIES-



Heat Trace & Slim Case
OPTIONS ^

scan for
systems



Sampling applications can vary wildly due to gas quality, geographic location and other factors, so

Why are so many sampling systems one-size-fits-all solutions?



A+ considers all application factors when designing your sampling system to keep your system as simple as possible while still delivering an Analytically Correct™ sample to your analyzer.

A+ pioneered the use of membranes

for removing liquids to protect analyzers in both gas and liquid streams with our Genie® Membrane Separators™. Additionally, the company pioneered the use of membranes on sample probes, eliminating liquids at pipeline conditions to ensure a representative sample as well as preventing liquids from contaminating the sample system. With over **45 patents and counting**, A+ continues to create new and exciting technologies which will continue to define and redefine the way fluids are sampled.

scan for
products



scan for
support



scan for
about us



Analytically Correct™ sample systems, sample conditioning components, and revolutionary gas and liquid sampling technology.

Contact us for expert product application assistance.

1.225.644.5255

sales@geniefilters.com

geniefilters.com

41041 Black Bayou Road, Gonzales, Louisiana 70737



US Patents 10,073,013; 10,613,004; 10,627,320; 10,627,322; 10,641,687. Genie®, ACES™, Analytically Correct Engineered Systems™ are trademarks or registered trademarks of A+Corporation, LLC. All other referenced trademarks are the property of their respective owners.

© 2021 A+ Corporation. All rights reserved. SCC-ACES-Trifold-Brochure_04-23