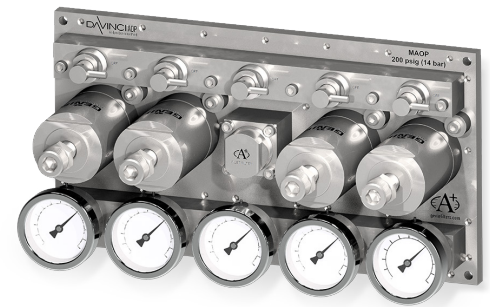


DAVINCI™ ADP

Analyzer Distribution Panel



One gas sample stream in and four low pressure gas streams out!

The DaVinci™ Modular Analyzer Distribution Panel (ADP) is a pre-packaged solution that makes it possible to supply up to four different analyzers with low pressure gas samples from a single source, eliminating the need to establish multiple sample points and reducing the cost of required sampling hardware.

The ADP consists of a single modular board with built in purge loop, inlet filter and gauge, integral stream isolation valves, and pressure regulators with their respective gauges. The standard ADP is supplied with one regulator and pressure gauge. Up to three additional regulators with respective gauges can be added and assembled on the board at the time of order or later in the field by the technician.

The Analytically Correct™ design of the ADP's purge loop ensures that a representative sample is always present at the inlet of each individual sample stream. The individual sample streams are independent of one another, eliminating the chance of active streams being affected by other streams coming on or off line. The compact modular design of the ADP makes it easy to install, maintain, and troubleshoot. A regulator kit is offered for easy replacement of regulators in the field.

It is important to note that when sampling gases near their dew point, it may be necessary to install the ADP in a heated area or heated insulated enclosure. For assistance in determining heating requirements, please contact A+ Corporation or your local A+ distributor.

Technical Specifications

Maximum pressure rating	200 psig (13.8 barg)
Temperature range	-35 °F (-37 °C) to 225 °F (107°C) Contact the factory regarding other temperature ratings
Port Sizes	1/8" female NPT inlet, bypass & outlet ports 1/4" female NPT gauge ports
Outlet pressure range	0-10 psig (0-0.7 barg), 0-25 psig (0-1.7 barg), 0-50 psig (0-3.4 barg), 0-100 psig (0-6.9 barg)
Wetted Material	Machined parts: 316 stainless steel / ISO 15156-3 compliant All other metal parts: stainless steel / ISO 15156-3 compliant Sealing material: Neoprene

Product Brief

Applications

- For use in any process industry to supply up to four different analyzers with low pressure gas samples from a single source

Benefits

- Eliminates the need to establish multiple sample points
- Reduces the cost of required sampling hardware
- Pre-packaged solution eliminates technician assembly
- Space saving, compact modular design
- Easy to add or replace regulators in the field

Features

- Analytically Correct™ purge loop
- Inlet filter & gauge
- Up to four (4) pressure regulators with respective gauges
- Integral valving
- Regulator kit



Model Numbering & Additional Part Numbers

Your model number is determined by your specific needs. Choose options below.

Outlet pressure range (psig) 0 = 0-25 1 = 0-50 2 = 0-100 9 = 0-10 X = No regulator & No gauge

Make sure to indicate the appropriate position for each regulator on the board by filling in the corresponding blank when completing the part number below. Each pressure regulator includes a pressure gauge. Reference the dimensional drawing for regulator positioning.

How to build the model number:



Regulator position #1 outlet pressure range
 Regulator position #2 outlet pressure range
 Regulator position #3 outlet pressure range
 Regulator position #4 outlet pressure range

Regulator kit part number

(includes regulator, mounting clips, and appropriate gauge)



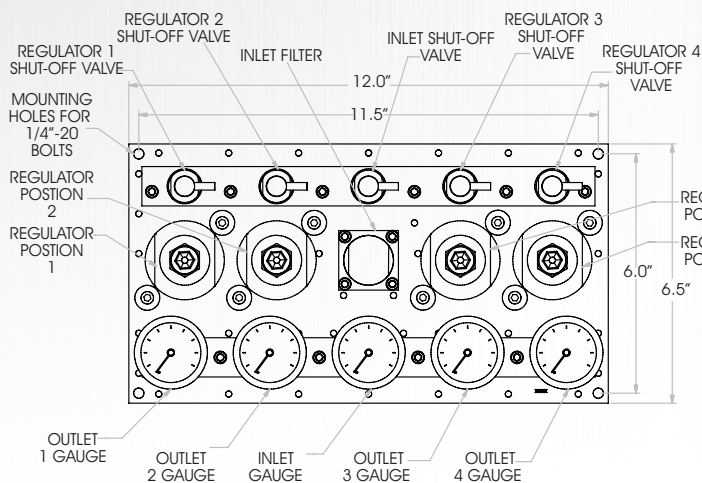
Outlet pressure range

Spare Parts & Accessories (sold separately)

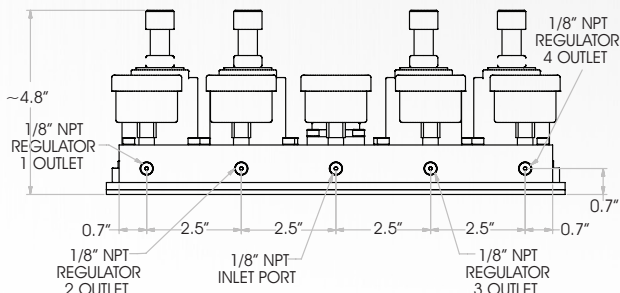
- Inlet filter replacement - Part # DAV-3920
- Seat & Seal replacement kit - Seat, Valve Stem, Bias Spring & O-Rings

Dimensions

Front View



Bottom View



Analytically Correct™ sample systems, sample conditioning components, and revolutionary gas and liquid sampling technology.

Contact us for expert product application assistance.

1.225.644.5255

sales@geniefilters.com

geniefilters.com

41041 Black Bayou Road, Gonzales, Louisiana 70737

