



An Analytically Correct™ single stage pressure regulator specifically designed for gas sampling applications!

The Model GR™ Genie® Pressure Regulator is a single stage pressure regulator designed specifically for use in gas analyzer sample conditioning systems. Its stainless steel housing contains a piston style sensing element, increasing reliability and eliminating the chance for diaphragm rupture. Additionally, the low internal volume and unique interior design allow it to purge quickly.

It is important to note that some applications will require additional heat to be applied before pressure regulation, and possibly multiple stages of pressure reduction. For assistance in determining heating and pressure regulation requirements, please contact A+ Corporation or your local A+ distributor.

Note: A retrofit heater upgrade kit is available for the GR if it is determined that heat needs to be applied to a standard GR regulator after it has been installed in the field. If you know that your application needs heat when your order is placed, then you should order the Model GHR.

Technical Specifications	
Maximum pressure rating	6000 psig (413.7 barg)
Temperature range	-40°F (-40°C) to 300°F (149°C) * Actual limit depends on sealing material chosen. Refer to Temperature Range Comparison Chart.
Port sizes	1/4" female NPT
C _v coefficient	0.023
Outlet pressure range	0-10 psig (0-0.7 barg), 0-25 psig (0-1.7 barg), 0-50 psig (0-3.4 barg), 0-100 psig (0-6.9 barg), 0-250 psig (0-17.2 barg), 0-500 psig (34.5 barg)
Wetted materials	Machined parts: 316/316L stainless steel / ISO 15156-3 compliant All other metal parts: stainless steel / ISO 15156-3 compliant Regulator seat material: PFA Sealing material: User defined



Product Brief

- ### Applications
- Gas analyzer sample systems in any process industry requiring pressure regulation
 - Second stage for probe regulator

- ### Benefits
- No chance of diaphragm rupture
 - Easy to mount in small enclosures or tightly spaced cabinets
 - Economical

- ### Features
- Small, compact stainless steel housing
 - Piston style sensing element
 - CRN approved
 - Heater upgrade retrofit kit available



Model Numbering & Additional Part Numbers

Your model number is determined by your specific needs. Choose options below.

Sealing material	0 = Fluoroelastomer	JW = RGD resistant HNBR	<i>(other materials available upon request)</i>			
Outlet pressure range (psig)	0 = 0-25	1 = 0-50	2 = 0-100	3 = 0-250	4 = 0-500	9 = 0-10

How to build the model number:

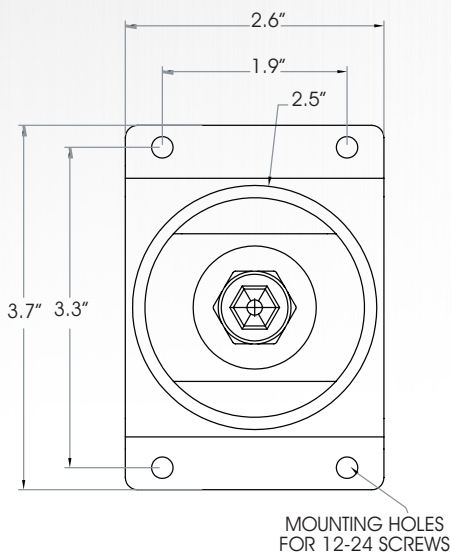


Spare Parts & Accessories (sold separately)

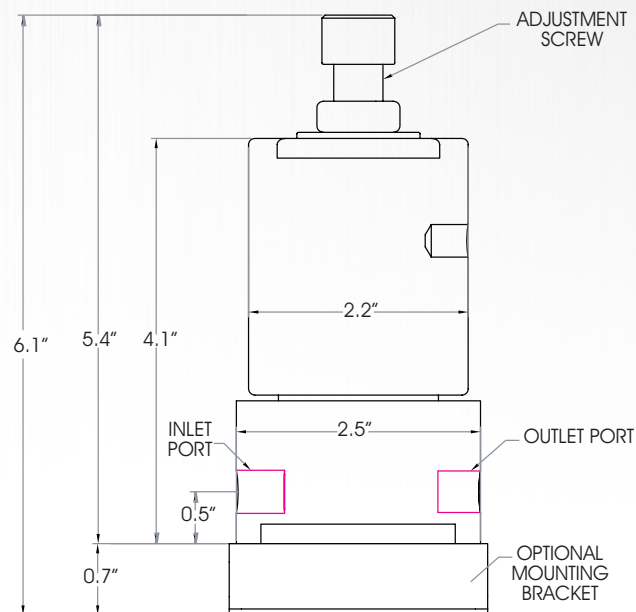
- Model GR Mounting Bracket - Part # GR-509-SS
- Kozy Insulated Cover - Part # KZ-10-L
- Manifold with pressure gauge, ball valve, & relief valve - for ordering information, refer to the Genie® Probe Regulator Accessory Manifold product sheet
- Inlet filter replacement - Part # GR-5FSS
- Seat & Seal replacement kit - Seat, Valve Stem, Bias Spring & O-Rings

Dimensions

Top View



Side View



Analytically Correct™ sample systems, sample conditioning components, and revolutionary gas and liquid sampling technology.

Contact us for expert product application assistance.

1.225.644.5255

sales@geniefilters.com

geniefilters.com

41041 Black Bayou Road, Gonzales, Louisiana 70737

