



Highly efficient, self-cleaning liquid bypass filters!

The Tornado Model 602 is a continuously self-cleaning filter that protects analyzers from particulate in liquid samples. In normal operation, components of interest flow through the Tornado's element to the analyzer. Contaminants are shed by the element and removed through the Bypass port. The G.U.T.S.[™] (Genie[®] Ultimate Thermoplastic Seal) gasket is an excellent alternative to expensive elastomers. It withstands radical temperature cycles without leaks due to its ability to maintain a bubble-tight seal even when thermocycled repeatedly from 0-300 °F. The multi-layer filter media consists of the support screen and flow screen. This results in more efficiency and easier installation and handling. The elements are self-cleaned by the flow of sample across them. The self-cleaning action is best when the bypass flow rate is maximized, the outlet flow rate minimized, and variations in element rating are tried.

Technical Specifications

Maximum pressure rating	1,500 psig (103.4 barg)
Maximum temperature For higher temperatures, contact the factory.	300 °F (149 °C)
Bypass flow rate	Maximize for best performance Minimum: 1.5 gal/min
Port sizes	Inlet, Outlet, & Bypass 1/2" female NPT
Internal volume	70 cc
Wetted materials	Machined parts: 316/316L stainless steel / ISO 15156-3 compliant All other metal parts: stainless steel / ISO 15156-3 compliant Sealing material: Kynar [®]

Product Brief

Applications

- Continuous liquid sampling in any process industry including natural gas, petrochemical, and oil refining
- Analyzer protection against particulate
- Liquid sample pre-conditioning

Benefits

- Helps preserve sample integrity
- Analyzer protection
- Quick and easy to install and maintain
- Quick and easy element inspection
- Economical

Features

- Self-cleaning tornado action
- Single element, multi-layer stainless steel filter media
- All connection ports on the housing
- Sample ports located at 90° angles
- G.U.T.S.[™] seal
- Back mounting



Model Numbering & Additional Part Numbers

Your model number is determined by your specific needs. Choose options below.

Element rating	2 = 2 micron	10 = 10 micron	25 = 25 micron	50 = 50 micron	100 = 100 micron
Kit quantity	Blank = Kit of 5	1 = Kit of 1			
Mounting bracket accessory	Part # 602-509-SS (sold separately)				

How to build the model number:



Element rating
(0.5 is porous metal. All others are screens.)

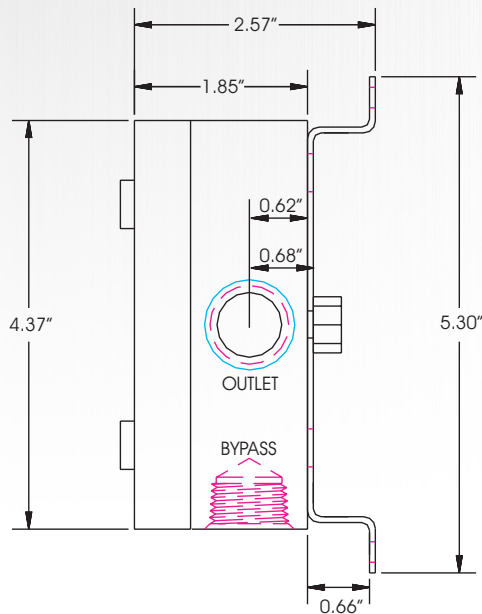
How to build the replacement filter element assembly and seal kit part number:



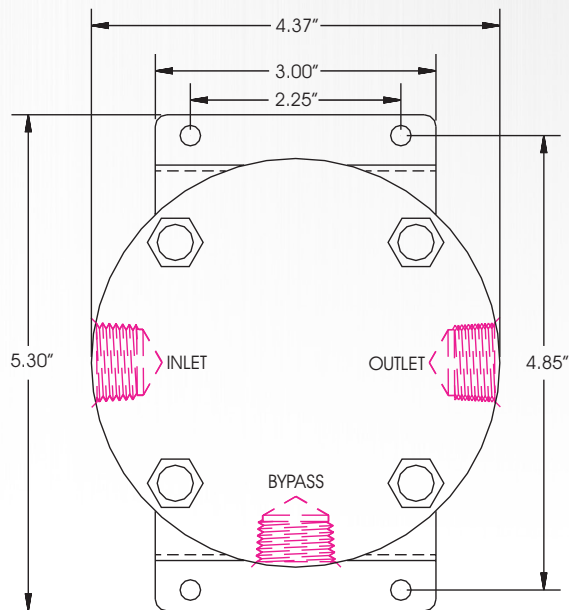
Element rating
(0.5 is porous metal. All others are screens.)
Kit quantity

Dimensions

Side View



Front View



Analytically Correct™ sample systems, sample conditioning components, and revolutionary gas and liquid sampling technology.

Contact us for expert product application assistance.

1.225.644.5255

sales@geniefilters.com

geniefilters.com

41041 Black Bayou Road, Gonzales, Louisiana 70737

